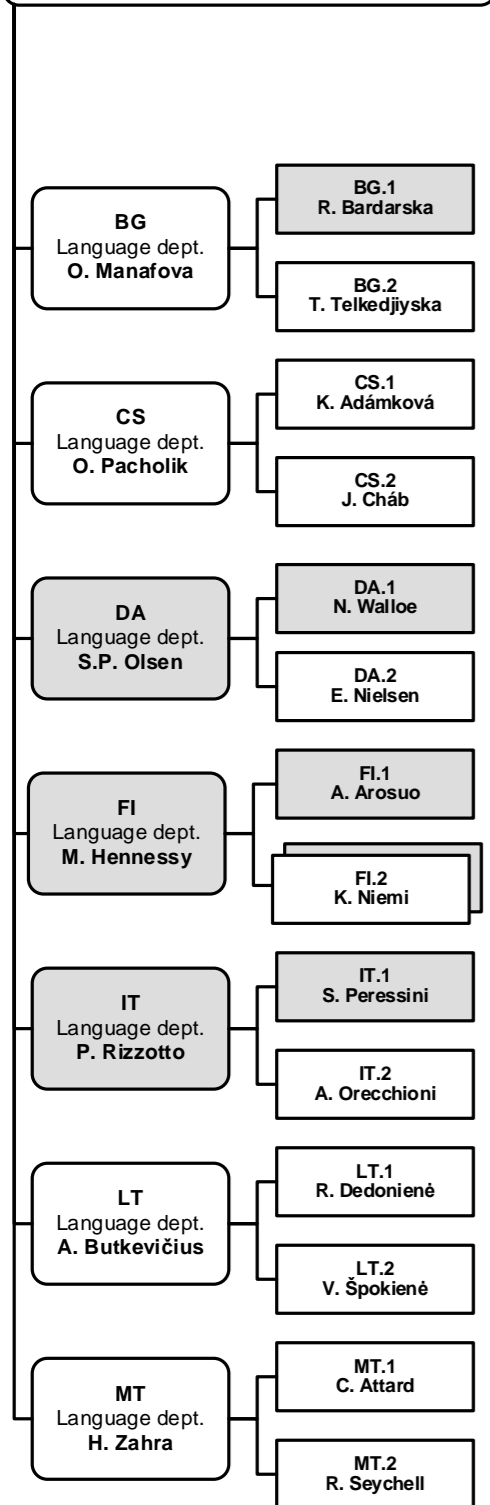
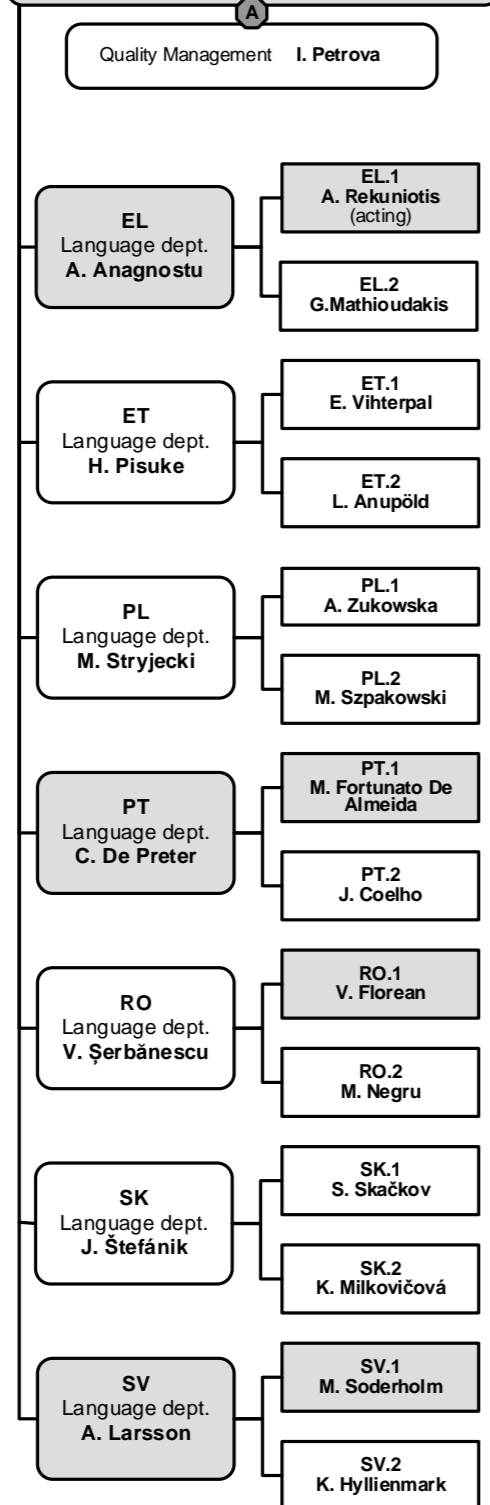


Deputy Director-General
C. Ellinides

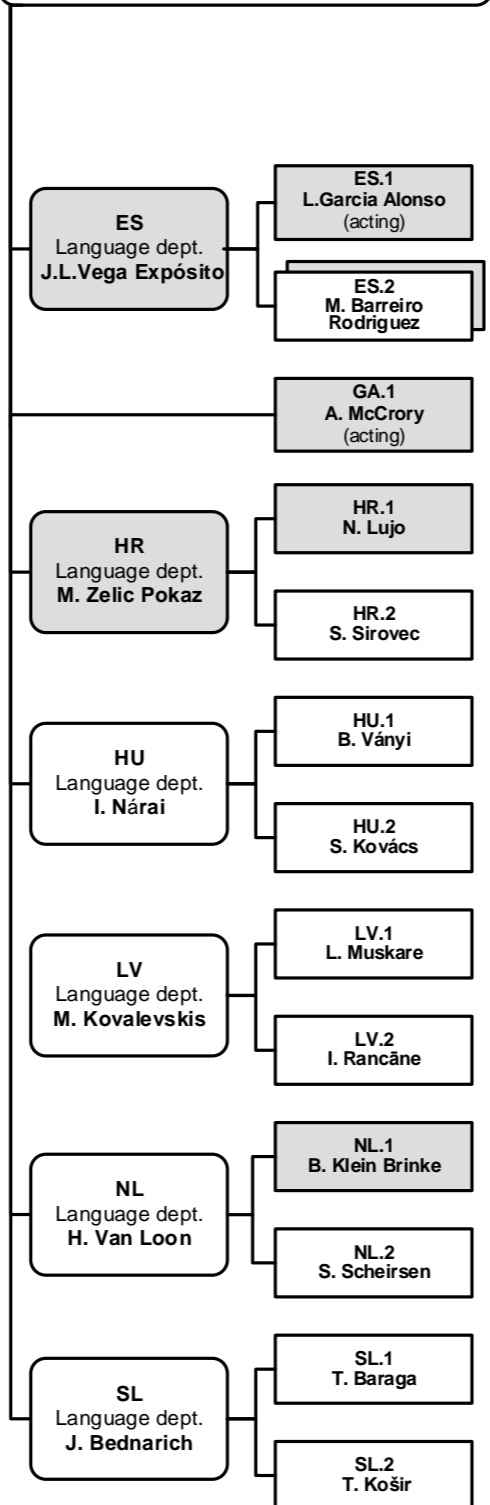
Directorate A
Translation
K. Meyer-Koeken



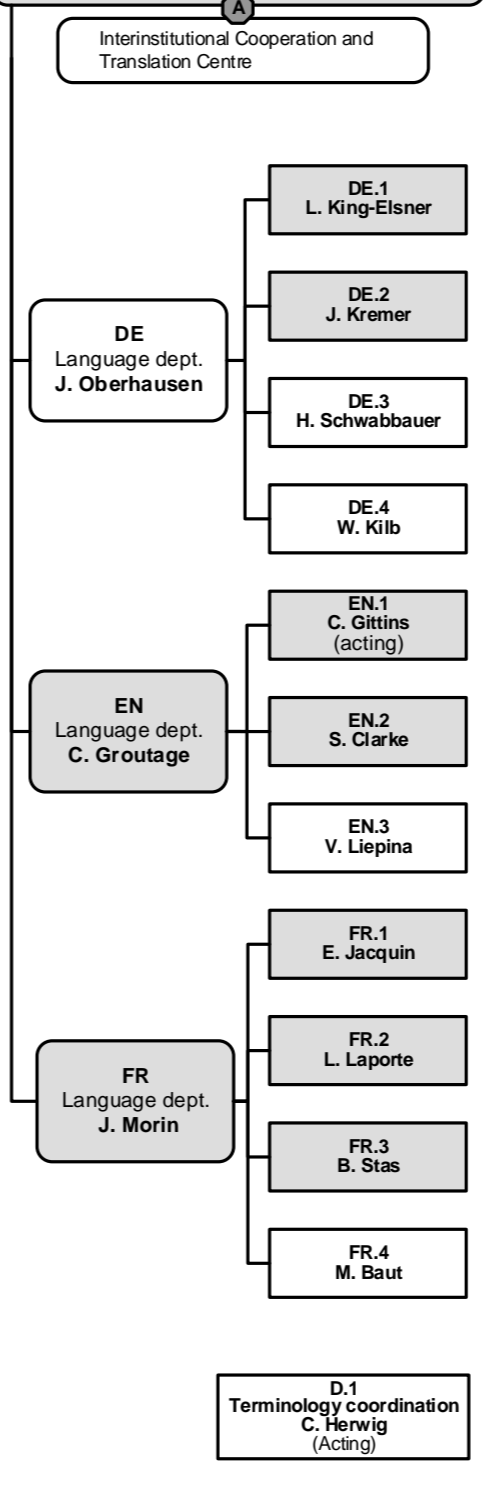
Directorate B
Translation
C. De Preter (acting)



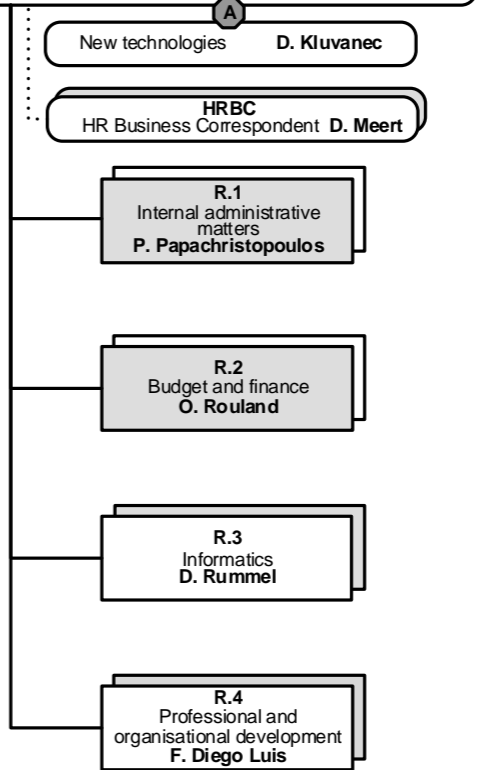
Directorate C
Translation
M.-E. Ilja



Directorate D
Translation
V. Darò



Directorate R
Resources
D. Rummel (acting)



Directorate S
Customer relations
M. Adamiš

