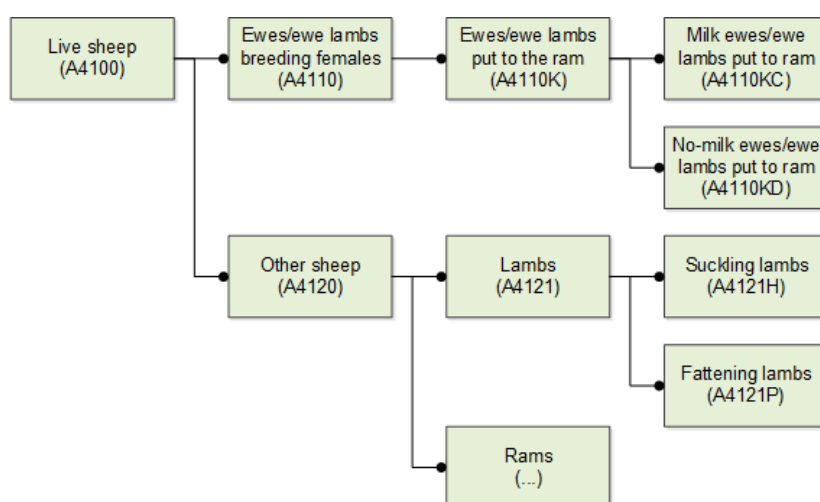


**Sheep** are domesticated animals of the species *Ovis aries* kept in flocks mainly for their milk, wool or meat.

## Includes

- **Breeding female sheep** – ewes and ewe lambs put to the ram, regardless of dairy/meat aptitude.
  - ewes that have lambed (been bred from)
  - ewes put to the ram for the first time
  - cull ewes (unproductive ewes to be sent for slaughter)
- **Other sheep** - all sheep other than breeding females.
  - ram
  - male lambs under 12 months
  - female lambs (other than breeding females) under 12 months
  - female sheep which have not been put to the ram



## Tree

## Related concepts

- [Cattle](#)
- [Equidae](#)
- [Goat](#)
- [Pig](#)

## Statistical data

- [Agriculture statistics at regional level](#)