

eIDAS-Node eID Error and Event Logging v2.8

Table of Contents

| | | |
|-----------|--|-----------|
| 1 | Introduction | 5 |
| 1.1 | Purpose | 5 |
| 1.2 | Document Structure..... | 5 |
| 1.3 | Other technical reference documentation | 5 |
| 2 | What is an audit trail? | 7 |
| 2.1 | Forensics and diagnostics | 7 |
| 3 | Standards, frameworks and best practices..... | 9 |
| 4 | Log generation | 10 |
| 5 | Logging configuration settings | 13 |
| 6 | Log files..... | 14 |
| 6.1 | Event detailed error codes and associated actions..... | 17 |
| 7 | eIDAS-Node messages logging..... | 18 |
| 7.1 | Enabling of the logging | 18 |
| 7.2 | Selection of the logging file..... | 18 |
| 7.3 | Description of the logging entries | 19 |
| 7.4 | Giving a Nodeld alias to the National IdP and SP applications..... | 23 |
| 7.5 | Description of the full message logging..... | 24 |
| 8 | Error ID | 25 |
| 9 | Operational considerations..... | 26 |
| 9.1 | Retention period | 27 |
| 10 | References | 28 |
| 11 | Appendix A: eIDAS-Node Error Codes and Error Messages | 29 |
| 12 | Appendix B: Full Logging Examples | 32 |

Document history

| Version | Date | Modification reason | Modified by |
|---------|------------|--|-------------|
| 1.0 | 06/10/2017 | Extracted from Installation Manual | DIGIT |
| 2.0 | 11/04/2018 | <ul style="list-style-type: none"> Editorial improvements Update to Error Codes and Error Messages | DIGIT |
| 2.1 | 06/07/2018 | <ul style="list-style-type: none"> Reuse of document policy updated and version changed to match the corresponding Release. | DIGIT |
| 2.3 | 20/06/2019 | Added information regarding the new implementation of message logging. Other updates to existing examples regarding Zulu time improvement. | DIGIT |
| 2.4 | 06/12/2019 | <ul style="list-style-type: none"> Editorial improvements Minor Updates | DIGIT |
| 2.5 | 11/12/2020 | eIDAS-Node 2.5 release | DIGIT |
| 2.6 | 15/04/2022 | eIDAS-Node 2.6 release | DIGIT |
| 2.7 | 01/09/2023 | eIDAS-Node 2.7 release | DIGIT |
| 2.8 | 05/09/2023 | eIDAS-Node 2.8 pre-release | DIGIT |

Disclaimer

This document is for informational purposes only and the Commission cannot be held responsible for any use which may be made of the information contained therein. References to legal acts or documentation of the European Union (EU) cannot be perceived as amending legislation in force or other EU documentation.

The document contains a brief overview of a technical nature and is not supplementing or amending terms and conditions of any procurement procedure; therefore, no compensation claim can be based on the contents of the present document.

© European Union, 2023

Reuse of this document is authorised provided the source is acknowledged. The Commission's reuse policy is implemented by Commission Decision 2011/833/EU of 12 December 2011 on the reuse of Commission documents.

List of abbreviations

The following abbreviations are used within this document.

| Abbreviation | Meaning |
|--------------|--|
| eIDAS | electronic Identification and Signature. The Regulation (EU) N°910/2014 governs electronic identification and trust services for electronic transactions in the internal market to enable secure and seamless electronic interactions between businesses, citizens and public authorities. |
| IdP | Identity Provider. An institution that verifies the citizen's identity and issues an electronic ID. |
| MS | Member State |
| SAML | Security Assertion Markup Language |

| Abbreviation | Meaning |
|--------------|------------------|
| SP | Service Provider |

List of definitions

The following definitions are used within this document.

| Term | Meaning |
|------------|---|
| Audit | A function which seeks to validate that controls are in place, adequate for their purposes, and which reports inadequacies to appropriate levels of management. |
| Audit log | An audit log is a chronological sequence of audit records, each of which contains evidence directly as a result of the execution of a business process or system function |
| eIDAS-Node | An eIDAS-Node is an application component that can assume two different roles depending on the origin of a received request. See eIDAS-Node Connector and eIDAS-Node Proxy Service. |

1 Introduction

This document is intended for a technical audience consisting of developers, administrators and those requiring detailed technical information on how to configure, build and deploy the eIDAS-Node application.

This document provides information on the eID implementation of error and event logging as a building block for generating an audit trail of activity on the eIDAS Network. It describes the files that are generated, the file format, the components that are monitored and the events that are recorded. It also presents points that should be considered when planning, implementing and operating an auditing environment.

1.1 Purpose

The purpose of this document is to describe the strategy for logging errors and events in the eIDAS-Node.

1.2 Document Structure

This document is divided into the following sections:

- Chapter 1 – *Introduction*: this section.
- Chapter 2 – *What is an audit trail?* Introduces the concept of an audit trail and discusses the forensics and diagnosis of audit trail analysis.
- Chapter 3 – *Standards, frameworks and best practices* provides a brief introduction to industry standards and guidelines that should be considered when implementing a logging and auditing scheme.
- Chapter 4 – *Log generation* shows the format and describes the information attributes that are contained in a log record.
- Chapter 5 – *Logging configuration settings* discusses log management requirements and recommendations.
- Chapter 6 – *Log files* describes the locally stored log files and presents a matrix of which events are logged, in which log file and which response would be triggered.
- Chapter 7 – *eIDAS-Node messages logging* provides information about the information stored in the logs regarding incoming and outgoing messages.
- Chapter 8 – *Operational considerations* contains information that should be taken into account when implementing a logging process.
- Chapter 9 – *References* contains a list of reference material with links.
- Appendix A – *eIDAS-Node Error Codes and Error Messages* contains a list of error code and associated message properties.
- Appendix B – Full Logging examples

1.3 Other technical reference documentation

We recommend that you also familiarise yourself with the following eID technical reference documents which are available on **Digital Home > eID** :

- *eIDAS-Node Installation, Configuration and Integration Quick Start Guide* describes how to quickly install a Service Provider, eIDAS-Node Connector, eIDAS-Node Proxy Service and IdP from the distributions in the release package. The distributions provide

preconfigured eIDAS-Node modules for running on each of the supported application servers.

- *eIDAS-Node Installation and Configuration Guide* describes the steps involved when implementing a Basic Setup and goes on to provide detailed information required for customisation and deployment.
- *eIDAS-Node National IdP and SP Integration Guide* provides guidance by recommending one way in which eID can be integrated into your national eID infrastructure.
- *eIDAS-Node Demo Tools Installation and Configuration Guide* describes the installation and configuration settings for Demo Tools (SP and IdP) supplied with the package for basic testing.
- *eIDAS-Node and SAML* describes the W3C recommendations and how SAML XML encryption is implemented and integrated in eID. Encryption of the sensitive data carried in SAML 2.0 Requests and Assertions is discussed alongside the use of AEAD algorithms as essential building blocks.
- *eIDAS-Node Security Considerations* describes the security considerations that should be taken into account when implementing and operating your eIDAS-Node scheme.
- *eIDAS-Node Error Codes* contains tables showing the error codes that could be generated by components along with a description of the error, specific behaviour and, where relevant, possible operator actions to remedy the error.

Disclaimer: The users of the eIDAS-Node sample implementation remain fully responsible for its integration with back-end systems (Service Providers and Identity Providers), testing, deployment and operation. The support and maintenance of the sample implementation, as well as any other auxiliary services, are provided by the European Commission according to the terms defined in the European Union Public Licence (EUPL) at https://joinup.ec.europa.eu/sites/default/files/custom-page/attachment/eupl_v1.2_en.pdf

2 What is an audit trail?

A log is a record of the events occurring within an organisation's systems and networks. Logs are composed of log entries; each entry contains information related to a specific event that has occurred within a system or network.

An audit trail consists of a number of log records providing documentary evidence of the sequence of activities that have affected at any time a specific operation, procedure or event.

In a stand-alone system, all the security relevant activities in individual components can be isolated. This allows us to maintain a time-ordered list of all actions and events (e.g. audit trail) that happened in the system and enabling us to audit the system by simply following the information trail in a single place, obeying to a defined notation and in a specific timeline.

The number, volume and variety of different systems operating in an eIDAS-Network's distributed architecture has created the need for security log management and safeguards to help protect the confidentiality, integrity, and availability of service and the data therein. With this in mind, an audit trail must meet two very important requirements:

- The possibility of reconstructing an entire transaction by linking all related request/response identifiers throughout the complete path of the request processing, from Service Provider to eIDAS-Node to Identity Provider and back.
- The association between an incoming request and all subsequently-related outgoing request(s), as well as the corresponding replies

In order to meet these requirements the eIDAS-Node implementation is required to record and retain audit-logging information sufficient to answer the following questions:

- Who performed the logging (the main component or an external module/party)?
- What activity was performed? (e.g. Input, Process, Output)
- Who or what performed the activity, including where or on what system the activity was performed from whom (subject)?
- What the activity was performed on (object)?
- When was the activity performed?
- What tool(s) was used to perform the activity?
- What was the status (such as success/failure), outcome, or result of the activity?

2.1 Forensics and diagnostics

Analysis of the audit trail will help to identify use and abuse of the eIDAS Network, including the following conditions:

- Sequencing failure
- Excessive use
- Data changes
- Fraud and other criminal activities
- Suspicious, unacceptable or unexpected behaviour
- Modifications to configuration
- Application code file and/or memory changes input validation failures e.g. protocol violations, unacceptable encodings, invalid parameter names and values
- Output validation failures e.g. database record set mismatch, invalid data encoding
- Authentication successes and failures

- Authorisation (access control) failures
- Session management failures e.g. cookie session identification value modification
- Application errors and system events e.g. syntax and runtime errors, connectivity problems, performance issues, third party service error messages, file system errors, file upload virus detection, configuration changes
- Application and related systems start-ups and shut-downs, and logging initialisation (starting, stopping or pausing)
- Use of higher-risk functionality e.g. network connections, addition or deletion of users, changes to privileges, assigning users to tokens, adding or deleting tokens, use of systems administrative privileges, access by application administrators, all actions by users with administrative privileges, access to payment cardholder data, use of data encrypting keys, key changes, creation and deletion of system-level objects, data import and export including screen-based reports, submission of user-generated content - especially file uploads
- Legal and other opt-ins e.g. permissions for mobile phone capabilities, terms of use, terms & conditions, personal data usage consent, permission to receive marketing communications

3 Standards, frameworks and best practices

Standards and frameworks like COBIT (Control Objectives for Information and Related Technology) by the Technology IT Governance Institute and the Information Systems Audit and Control Association (ISACA) and ITIL (Information Technology Infrastructure Library) provide information on IT governance and auditing. However there is little regulatory guidance on the specific controls, the standard of due care means doing at least what one's peers are doing as well as following security best practices frameworks as proposed by COBIT, BITS, COSO and standards including ISO 17799 and NIST SP 800-53 and ISF Standard of Good Practice, ISO / ISO 27002.

Note: The eIDAS-Node logs may contain person identification data, hence these logs should be handled and protected appropriately in accordance with the European privacy regulations [Dir. 95/46/EC] and [Reg. 2016/679].

[Reg. 2016/679] REGULATION (EU) 2016/679 OF THE EUROPEAN PARLIAMENT AND OF THE COUNCIL of 27 April 2016 on the protection of natural persons with regard to the processing of personal data and on the free movement of such data, and repealing Directive 95/46/EC.

[Dir. 95/46/EC] Directive 95/46/EC of the European Parliament and of the Council of 24 October 1995 on the protection of individuals with regard to the processing of personal data and on the free movement of such data.

4 Log generation

The following table shows the information attributes that are contained in a log record.

Table 1: Log record attributes

| Name | See Figure 1 | Description |
|-------------|--------------|--|
| Date time | 1 | The date time of the logging event in Zulu Time, also known as Coordinated Universal Time (UTC) format. |
| Thread | 2 | Outputs the name of the server processing thread that generated the logging event. |
| Level | 3 | <p>Outputs the level of the logging event.</p> <ul style="list-style-type: none"> • ERROR: some type of failure has occurred, users are probably being affected (or will soon be) and the fix probably requires human intervention. • WARN: an unexpected technical or business event occurred, users may be affected, but probably no immediate human intervention is required. Support personnel will want to review these issues as soon as possible to understand what the impact is. Basically any issue that needs to be tracked but may not require immediate intervention. • INFO: things we want to see at high volume in case we need to forensically analyse an issue. Typical business exceptions can go here (e.g. login failed due to bad credentials). • DEBUG: used for entry/exit of most non-trivial methods and detailed information on the flow through the system. This will be written to logs only. • TRACE: this would be for extremely detailed and potentially high volume logs that you do not typically want enabled even during normal development. |
| ClassName | 4 | Outputs location information of the caller's (Java) class which generated the logging event. |
| sessionId | 5 | If available, the session Id. |
| IpAddress | 6 | If available, the Remote IP address. |
| Even | 7 | If available, the type of logging event. |
| Message | 8 | The content of the message |
| EventNumber | 9 | Sequential increasing number of the event |
| Hash | 10 | A hash generated of the line log content guaranteeing integrity |

The following is an example of log content showing three log records.

| | | | | | | |
|--------------------------|---------------|-----------------------------|--|------|---|----------------------------------|
| 2015-06-15T13:58:53.469Z | | 2015-06-15T13:58:57.825Z | | INFO | eu.eidas.auth.engine.EIDASSAMLEngine SAML | 9DD4C51374BE635296A7295CA32B7632 |
| 127.0.0.1 | SAML_EXCHANGE | -Get instance: SP-Connector | | #1# | [MaAG32KHbrOV+ABUawBv4iibuazJltc+Qmk2VDs1NM=] | |

```

2015-06-15T13:58:57.825Z [http-bio-8080-exec-2] DEBUG
eu.eidas.auth.engine.EIDASSAMLEngine -9DD4C51374BE635296A7295CA32B7632 -
127.0.0.1 SAML_EXCHANGE -null #2#
[/d5F9UqFZy3OY37PA500TGpepPczdUzbJigiZxGla2E=]
2015-06-15T13:59:07.212Z [http-bio-8080-exec-2]
INFO eu.eidas.node.auth.connector.AUCONNECTORSAML -
9DD4C51374BE635296A7295CA32B7632 -127.0.0.1 SAML_EXCHANGE -Connector -
Processing SAML Request with ID _a43526c05fc8168879b5789ba0d62744 #3#
[AeRp3ofGkl3gclEH4QypViREHPB9Kw+hFFpt1DdUKGc=]
    
```

Figure 1: Example of log content

Notes: The following shows the attribute delimiters and their meaning

- # is used as a field delimiter
- [] delimits optional components

Important: Additional attributes may be added in future phases of this project.

Figure 2 below show examples of log records on an eIDAS-Node.

```

2015-06-15T13:58:53.469Z [http-bio-8080-exec-2]
INFO eu.eidas.auth.engine.EIDASSAMLEngine SAML_EXCHANGE -
9DD4C51374BE635296A7295CA32B7632 -127.0.0.1 -Get instance: SP-Connector #1#
[MaAG32KHbrOV+ABUawBv4iibuazJltc+Qmk2VDs1NM=]
2015-06-15T13:59:07.212Z [http-bio-8080-exec-2]
INFO eu.eidas.node.auth.connector.AUCONNECTORSAML SAML_EXCHANGE -
9DD4C51374BE635296A7295CA32B7632 -127.0.0.1 -Connector - Processing SAML Request
with ID _a43526c05fc8168879b5789ba0d62744 #3#
[AeRp3ofGkl3gclEH4QypViREHPB9Kw+hFFpt1DdUKGc=]
...
2015-06-15T13:59:07.393Z [http-bio-8080-exec-2]
INFO eu.eidas.auth.engine.EIDASSAMLEngine SAML_EXCHANGE -
9DD4C51374BE635296A7295CA32B7632 -127.0.0.1 -Get instance: Connector-Service #15#
[IJCreY/HA7Kcc9HyKuJww2qFRvjSxkQfmw/1sBGnxH8=]
2015-06-15T13:59:07.529Z [http-bio-8080-exec-2]
INFO eu.eidas.node.auth.connector.AUCONNECTORSAML SAML_EXCHANGE -
9DD4C51374BE635296A7295CA32B7632 -127.0.0.1 -Connector - Processing SAML Request
with ID _a43526c05fc8168879b5789ba0d62744 #16#
[zsSBlcAwF8Lg1lg7u2S//OtoklvnnLZnAPcWX6Quci8=]
...
2015-06-15T13:59:08.445Z [http-bio-8080-exec-2]
INFO eu.eidas.auth.engine.EIDASSAMLEngine SAML_EXCHANGE -
9DD4C51374BE635296A7295CA32B7632 -127.0.0.1 -Get instance: Service #29#
[/K59pCfDIhDHTBiQKc1n5VLKBtdOprWsEumnnhd8TIQ=]
2015-06-15T13:59:08.697Z [http-bio-8080-exec-2]
INFO eu.eidas.node.auth.service.AUSERVICESAML SAML_EXCHANGE -
9DD4C51374BE635296A7295CA32B7632 -127.0.0.1 -Service - Processing SAML Request
    
```

with ID [_d41ae1dc063c7e4a87f17e57fdbc1329](#) #31#
[rkLbukPhl+5ia+wzzJyVY2DHHfz2JIXPvpT1CmHRZgw=]

Figure 2: Log records on IT-eIDAS-Node

In cases where the information to be logged is generated by an application other than an eIDAS-Node, sanitizing can be applied. The string, with information, will be escaped if it contains any of the following characters Carriage Return (ASCII 13, \r) and/or Line Feed (ASCII 10, \n) and CRLF. Furthermore, a suffix will be added to the original string to signal the modification of the original information.

5 Logging configuration settings

The deployer or host of the eIDAS-Node and related specific components should ensure that other jurisdiction or organisation specific, guidelines, and procedures with respect to logging and to incorporate and support these log management requirements and recommendations; also comply with functional and operational requirements. The following table provides examples of the types of logging configuration settings to be specified in policies, which are MS specific.

Table 2: Logging configuration settings

| Category | Low Impact Systems | Moderate Impact Systems | High Impact Systems |
|---|---|---|---|
| How long to retain log data | 1 to 2 weeks | 1 to 3 months | 3 to 12 months, in absence of specific legal requirements |
| How often to rotate logs | Optional (if performed, at least every week or every 25 MB) | Every 6 to 24 hours, or every 2 to 5 MB | Every 15 to 60 minutes, or every 0.5 to 1.0 MB |
| If the organisation requires the system to transfer log data to the log management infrastructure, how frequently that should be done | Every 3 to 24 hours | Every 15 to 60 minutes | At least every 5 minutes |
| How often log data needs to be analysed locally (through automated or manual means) | Every 1 to 7 days | Every 12 to 24 hours | At least 6 times a day |
| Whether log file integrity checking needs to be performed for rotated logs | Optional | Yes | Yes |
| Whether rotated logs need to be encrypted | Optional | Optional | Yes |
| Whether log data transfers to the log management infrastructure need to be encrypted or performed on a separate logging network | Optional | Yes is feasible | Yes |

6 Log files

Each eIDAS Node is configured to generate ten different locally stored log files for tracing activities:

- **The Application System log:** (eIDASNodeConnectorSystem and eIDASNodeProxySystem) contains all the events occurring at the application level (e.g. server start/stop, change of configuration).
- **The Application Security log:** (eIDASNodeConnectorSecurity and eIDASNodeProxySecurity) contains all the security-related events.
- **The Message Exchange log:** (eIDASNodeConnectorSAMLExchange and eIDASNodeProxySAMLExchange) contains the details about exchanged messages.
- **The Debug Message Exchange log:** (eIDASNodeConnectorFullMsgExchange and eIDASNodeProxyFullMsgExchange) contains the full content of the messages that are exchanged by the Node.
- **The Application Detailed log:** (eIDASNodeConnectorDetail and eIDASNodeProxyDetail) contains the more detailed information at destination to the technical team for forensics, investigation and debugging purposes.

The locations of the audit files are by default configured to use a Java system properties variable called LOG_HOME.

A value can be assigned to this variable by using: `-DLOG_HOME=<myDirectoryName>` at server start-up.

If modification of the environment variable is not possible, the value of this variable could also be assigned by adding the following line in the `logback.xml` file `<property name="LOG_HOME" value = "<myDirectoryName>" />`

The following table shows a matrix of which events are logged, in which log file and which response would be triggered.

Table 3: Event log matrix

| Event | Record in log file | | | | | | | Response type | | | Comment |
|---|--------------------|-----------|-----------|---------------|----------|--------------------|--------------------------------|---------------|----------|------------------------|--|
| | Syst em | Detail ed | Secu rity | MessageE xchg | Cons ole | App l. serv er log | Thresh old level (see Table 1) | Immed iate | Routi ne | Foren sics - histori c | |
| SAML request processing \\[EVT-1\\] | | √ | | √ | √ | | Info | | √ | | Normal processing of the SAML messages |
| SAML Response processing \\[EVT-2\\] | | √ | | √ | √ | | Info | | √ | | Normal processing of the SAML messages |

| | Record in log file | | | | | | Response type | | | | |
|---|--------------------|---|--|---|---|-------|---------------|---|---|---|--|
| | | | | | | Error | | | | | |
| OpenSAML Error [EVT-3] | | √ | | √ | √ | | Error | √ | | | Error occurs in the OpenSAML product library |
| Configuration change [EVT-4] | √ | | | | √ | | | | √ | √ | Configuration change via management console |
| Configuration reload [EVT-5] | √ | | | | √ | | | | √ | √ | |
| Application startup [EVT-6] | √ | | | | | √ | | | √ | √ | Start of application filters |
| Application shutdown [EVT-4] | √ | | | | | √ | | | √ | √ | Start of application filters |
| Console alerts [EVT-5] | √ | √ | | | √ | | | √ | | √ | |
| Exceptions Application errors and system events e.g. syntax and runtime errors, connectivity problems, performance | | √ | | | √ | | | √ | | | |

| | Record in log file | | | | | | Response type | | | |
|---|--------------------|---|--|--|---|--|---------------|---|--|----------------------|
| nce issues, file system errors [EVT-6] | | | | | | | | | | |
| Unauthorised access attempt to management console [EVT-7] | √ | √ | | | √ | | | √ | | |
| Input validation failures [EVT-8] | √ | √ | | | √ | | | √ | | Could hide an attack |
| Output validation failures [EVT-9] | √ | √ | | | √ | | | √ | | Could hide an attack |
| Session management failures e.g. cookie session identification value modification [EVT-10] | √ | √ | | | √ | | | √ | | Could hide an attack |
| Content security violation [EVT-11] | √ | √ | | | √ | | | √ | | Could hide an attack |

| | Record in log file | | | | | | Response type | | | |
|---|--------------------|---|--|---|--|--|---------------|--|--|----------------------|
| | | | | | | | | | | |
| Sequencing failure (like SAML Response without being preceded by SAML Request) \[EVT-12\] | √ | √ | | √ | | | √ | | | Could hide an attack |
| Excessive use (like SAML request limitation exceeded) \[EVT-13\] | √ | √ | | √ | | | √ | | | Could hide an attack |
| Certificate not valid \[EVT-13\] | √ | √ | | √ | | | √ | | | Could hide an attack |
| Signature not valid \[EVT-14\] | √ | √ | | √ | | | √ | | | Could hide an attack |

6.1 Event detailed error codes and associated actions

For full information on eIDAS-Node error codes and associated actions, refer to the *eIDAS-Node Error Codes* document.

7 eIDAS-Node messages logging

The incoming and outgoing Light Requests/Light Responses and eIDAS Requests and Responses to the eIDAS Node are logged in 8 points as depicted in the below Figure 3.

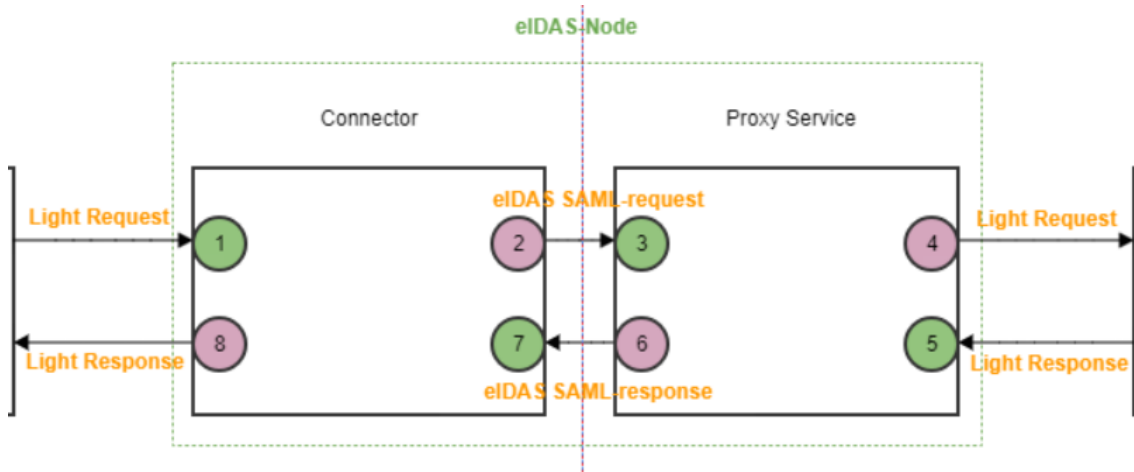


Figure 3: Message Logging diagram

7.1 Enabling of the logging

To enable the logging, the following entries may be set in the eidas.xml configuration file.

| Key | Description |
|----------------------|--|
| saml.audit | Activated the logging of information regarding incoming outgoing LightRequest/LightResponse, eIDAS Request and Response. If true logs information about the mentioned incoming requests and responses and does not log if false. Default value: true (This logging is activated by default). |
| full.message.logging | Activate the logging of the full content of the incoming or outgoing message (LightRequest, LightResponse, eIDAS Request and eIDAS Response). If true, logging will be executed, if false or not present the logging will not be executed. This functionality should only be used for debugging purposes. |

7.2 Selection of the logging file

The locations of the audit files are by default configured to use a Java system properties variable called LOG_HOME.

A value can be assigned to this variable by using: `-DLOG_HOME="<myDirectoryName>"` at server start-up.

If modification of the environment variable is not possible, the value of this variable could also be assigned by adding the following line in the `logback.xml` file
`<property name="LOG_HOME" value="<myDirectoryName>" />`

7.3 Description of the logging entries

Note: The eIDAS-Node logs may contain person identification data; hence, these logs should be handled and protected appropriately in accordance with the European privacy regulations [Dir. 95/46/EC] and [Reg. 2016/679].

[Reg. 2016/679] REGULATION (EU) 2016/679 OF THE EUROPEAN PARLIAMENT AND OF THE COUNCIL of 27 April 2016 on the protection of natural persons with regard to the processing of personal data and on the free movement of such data, and repealing Directive 95/46/EC.

At each of these points, information regarding the message is logged with different entries. The following table describes the logging entries:

| Entry | Description | Remarks |
|--------------|---|---|
| Timestamp | Current time. | UTC (Zulu) |
| OpType | Operation type can be receives or sends. | |
| Nodeld | The Id of the node from which this message was received (in case of OpType receives) or to which it will be sent (in case of OpType sends). | For eIDAS Requests and eIDAS Responses to the EntityId. |
| Origin | The origin of the incoming message. (e.g., HTTP referer header.) | N/A for OpType sends |
| Destination | The destination of the message | |
| flowId | The Id of the eIDAS flow. Used to relate messages from the same eIDAS authentication process. | The same eIDAS authentication flow will have 2 different flowIds one for Connector and another for Proxy-Service. |
| msgId | Id of the message | |
| msgHash | Hash of the message | Uses SHA512. |
| bltHash | Hash of the Binary Light Token | Uses SHA512. Only logged for Light Requests and Light Responses. |
| inResponseTo | Id of request to which the response is related. | Only logged for Responses. |
| statusCode | Status code of the response. | Only logged for Responses. |

The correlation of requests and responses can be done using the entries: *msgId*, *flowId*, and *inResponseTo*.

One example of the values logged for all the 8 points is as follows. Note that the line hashes were not included for more readability as you would find in *eIDASNodeConnectorDetail* and *eIDASNodeProxyDetail* or in *eIDASNodeConnectorSAMLExchange* and *eIDASNodeProxySAMLExchange* files.

Point 1

| | |
|-----------|---|
| Timestamp | 2019-06-17T13:36:30.269Z, |
| OpType | eIDAS Connector receives the request from Specific Connector, |
| Nodeld | specificConnector, |

| | |
|-------------|---|
| Origin | http://localhost:8080/SpecificConnector/ServiceProvider , |
| Destination | http://localhost:8080/EidasNodeConnector/SpecificConnectorRequest , |
| flowId | _teeF25P50axuRHOk5uP1K_678N9D5oP1j_khKNqjuV59yOeHFqmocWSJolZACjD, |
| msgId | 87cc1ae7-10df-4237-acf2-ac4957c4f899, |
| msgHash | ENshi09fT2f6Z5hwUj8DCF9SQmdkOJ7wiZVS9yJNskV+Obrs2kMoe3S1GokcaffUOC VOhOlw4dsT8a94pLTTMw==, |
| bltHash | 6MA9YGjgD22SYyoLqJJDxD4y1xiTM0rA8Azv9RYLCpyL6LaSqwOZx9mAvIPZCfTx MVn/7vCycFjjExTPn8GqgQ== |

Point 2

| | |
|-------------|---|
| Timestamp | 2019-06-17T13:36:30.840Z, |
| OpType | eIDAS Connector sends request to eIDAS Proxy Service, |
| NodeId | http://localhost:8081/EidasNodeProxy/ServiceMetadata , |
| Origin | N/A, |
| Destination | http://localhost:8081/EidasNodeProxy/ColleagueRequest , |
| flowId | _teeF25P50axuRHOk5uP1K_678N9D5oP1j_khKNqjuV59yOeHFqmocWSJolZACjD, |
| msgId | _0at.n7PwAPBqTvJd0pV1X-DV.NxNtwHWlpSiAYi2hpqiPWxfwEJLvTgwzGEHJ9N, |
| msgHash | 0oFuUvWD9FNGhIvtp2LrOEPQLoRnYNhhDksaDmqObipFoTVet6cytx1658Mjb4ub9 mwam4ctK7L2JvvcniPnQ== |

Point 3

| | |
|-------------|---|
| Timestamp | 2019-06-17T13:36:31.490Z, |
| OpType | eIDAS Proxy Service receives the request from eIDAS Connector, |
| NodeId | http://localhost:8080/EidasNodeConnector/ConnectorMetadata , |
| Origin | http://localhost:8080/EidasNodeConnector/SpecificConnectorRequest , |
| Destination | http://localhost:8081/EidasNodeProxy/ColleagueRequest , |
| flowId | _dKlIqa0LWWcAzxNR67B4vh5r0.Cv-28vRyOH.B3VV5sTLt3Pn.ViOVmoJaxqQOfF, |
| msgId | _0at.n7PwAPBqTvJd0pV1X-DV.NxNtwHWlpSiAYi2hpqiPWxfwEJLvTgwzGEHJ9N, |
| msgHash | 0oFuUvWD9FNGhIvtp2LrOEPQLoRnYNhhDksaDmqObipFoTVet6cytx1658Mjb4ub9 mwam4ctK7L2JvvcniPnQ== |

Point 4

| | |
|-----------|--|
| Timestamp | 2019-06-17T13:36:31.635Z, |
| OpType | eIDAS Proxy Service sends the request to Specific Proxy Service, |

| | |
|-------------|---|
| Nodeld | specificProxyService, |
| Origin | N/A, |
| Destination | http://localhost:8081/SpecificProxyService/ProxyServiceRequest , |
| flowId | _dKlIqa0LWWcAzxNR67B4vh5r0.Cv-28vRyOH.B3VV5sTLt3Pn.ViOVmoJaxqQOfF, |
| msgId | _GfAaa-Kz2X.gdywQuGMwd133hYM3TdgC6nrZ1r6qCr2elzRxFagueLd8VYTnGWR, |
| msgHash | utu1Z4sHax2W/0mZd4jx44TGpdKuJj7HKv7VIJ/PHL7fx5joUFUI7u0+mcEdE9BDPRk672VILxhAgOgwMTwpGg==, |
| bltHash | uU8WCpZQejNKFxjiSHoRQnZPe19VcB1YsR7D5MiSNZIEZCy1/6rmanPs7rx8zZ2/O4lzI8ub74vSi34m9FZXEW== |

Point 5

| | |
|--------------|---|
| Timestamp | 2019-06-17T13:37:18.970Z, |
| OpType | eIDAS Proxy Service receives the response from Specific Proxy Service, |
| Nodeld | specificProxyService, |
| Origin | http://localhost:8081/SpecificProxyService/AfterCitizenConsentResponse , |
| Destination | http://localhost:8081/EidasNodeProxy/SpecificProxyServiceResponse, |
| flowId | _dKlIqa0LWWcAzxNR67B4vh5r0.Cv-28vRyOH.B3VV5sTLt3Pn.ViOVmoJaxqQOfF, |
| msgId | 3e1b6aee-fa0b-44a3-add0-09d81826cd66, |
| msgHash | 04ICIOQQSWaeZ/5kUxDFYJw7qVZgOKuvrnfwYebwgbkqhXkNBUG4XajPDd1zc4S7NTERGEOvJdZ8e2TmM9GDkQ==, |
| bltHash | LCb+tPt+fSIGgc9l3KRbiRjLkaXnlRiNFj1WyBLSH6g4Cb2N8LETdtdKuOk9yLhUcGRk/wxRKMMapJyzA+23MA==, |
| inResponseTo | _GfAaa-Kz2X.gdywQuGMwd133hYM3TdgC6nrZ1r6qCr2elzRxFagueLd8VYTnGWR, |
| statusCode | urn:oasis:names:tc:SAML:2.0:status:Success |

Point 6

| | |
|-------------|--|
| Timestamp | 2019-06-17T13:37:21.168Z, |
| OpType | eIDAS Proxy Service sends the response to eIDAS Connector, |
| Nodeld | http://localhost:8080/EidasNodeConnector/ConnectorMetadata, |
| Origin | N/A, |
| Destination | http://localhost:8080/EidasNodeConnector/ColleagueResponse, |
| flowId | _dKlIqa0LWWcAzxNR67B4vh5r0.Cv-28vRyOH.B3VV5sTLt3Pn.ViOVmoJaxqQOfF, |

| | |
|--------------|---|
| msgId | _e1hSsKlpJ.Ow-wCEzbgnbGc2lhd1PTKXwYgtz8ld9.UCpWImUBt.jAFtWRAAckd, |
| msgHash | 9drKEZ8ixvQ8ycKCMVI6t5xwE8Qil7sZuQYrHqFXLZJuDAHIFYwCM6dQiEWxUE8yHzHrYNWxf1v4/7vr+dXjHQ==, |
| inResponseTo | _0at.n7PwAPBqTvJd0pV1X-DV.NxNtwHWIpSiAYi2hpqiPWxfwEJLvTgwzGEHJ9N, |
| statusCode | urn:oasis:names:tc:SAML:2.0:status:Success |

Point 7

| | |
|--------------|---|
| Timestamp | 2019-06-17T13:37:21.896Z, |
| OpType | eIDAS Connector receives the response from eIDAS Proxy Service, |
| NodeId | http://localhost:8081/EidasNodeProxy/ServiceMetadata, |
| Origin | http://localhost:8081/EidasNodeProxy/SpecificProxyServiceResponse, |
| Destination | http://localhost:8080/EidasNodeConnector/ColleagueResponse, |
| flowId | _teeF25P50axuRHOk5uP1K_678N9D5oP1j_khKNqjuV59yOeHFqmocWSJolZACjD, |
| msgId | _e1hSsKlpJ.Ow-wCEzbgnbGc2lhd1PTKXwYgtz8ld9.UCpWImUBt.jAFtWRAAckd, |
| msgHash | 9drKEZ8ixvQ8ycKCMVI6t5xwE8Qil7sZuQYrHqFXLZJuDAHIFYwCM6dQiEWxUE8yHzHrYNWxf1v4/7vr+dXjHQ==, |
| inResponseTo | _0at.n7PwAPBqTvJd0pV1X-DV.NxNtwHWIpSiAYi2hpqiPWxfwEJLvTgwzGEHJ9N, |
| statusCode | urn:oasis:names:tc:SAML:2.0:status:Success |

Point 8

| | |
|-------------|---|
| Timestamp | 2019-06-17T13:37:23.241Z, |
| OpType | eIDAS Connector sends the response to the Specific Connector, |
| NodeId | specificConnector, |
| Origin | N/A, |
| Destination | http://localhost:8080/SpecificConnector/ConnectorResponse , |
| flowId | _teeF25P50axuRHOk5uP1K_678N9D5oP1j_khKNqjuV59yOeHFqmocWSJolZACjD, |
| msgId | _Ji1R-U_ikNrfdl7PrWm6hITG6NcKz3ltC6l-IOE.qs9rU6HA7VnKGr058.4KbBO, |
| msgHash | FEM2e5zTV77egP5wQRcREeOwoAmLwjx26hGtC+alhkuThcSot+O5KPceYKuvNhjEsOI8QfUOHp5kkmSo/sFG0w==, |
| bltHash | pRdaV0JKhp+gPofrwBHWbpX8PE3IWidr/pVOTd0UD0oXtmNJBvM56FdJhF5HoP+C0ok94gUDQYXlf1B6uT8mgA==, |

| | |
|--------------|--|
| inResponseTo | 87cc1ae7-10df-4237-acf2-ac4957c4f899, |
| statusCode | urn:oasis:names:tc:SAML:2.0:status:Success |

For more details on the logging points and an example of an end-to-end logging trail eIDAS Connector (country A) ↔ eIDAS ProxyService (country B) for the messages, please refer to *Message logging improvements in eIDAS-Node v2.3* <https://ec.europa.eu/digital-building-blocks/wikis/x/hCUIBQ>.

The URLs with ec.europa.eu domain in this document are only accessible to the experts registered with the eIDAS eID Implementation community.

7.4 Giving a Nodeld alias to the National IdP and SP applications

To allow logging the Nodeld for Light Requests and Light Responses, the following parameters were added:

to *server/connector/specificCommunicationDefinition.xml*:

| Key | Description | Point | Logging class |
|--|--|-------|--------------------------------------|
| lightToken.connector.request.nodeld | Id that identifies the sender of the Light Request to the Connector | 1 | ConnectorIncomingLightRequestLogger |
| lightToken.connector.response.nodeld | Id that identifies the receiver of the Light Response to the Connector | 8 | ConnectorOutgoingLightResponseLogger |

and to *server/proxy/specificCommunicationDefinition.xml*

| Key | Description | Point | Logging class |
|---|---|-------|---|
| lightToken.proxyservice.request.nodeld | Id that identifies the receiver of the Light Request to the Proxy Service | 4 | ProxyServiceOutgoingLightRequestLogger |
| lightToken.proxyservice.response.nodeld | Id that identifies the sender of the Light | 5 | ProxyServiceIncomingLightResponseLogger |

| Key | Description | Point | Logging class |
|-----|-------------------------------|-------|---------------|
| | Response to the Proxy Service | | |

7.5 Description of the full message logging

This functionality should only be used for debugging purposes.

The full message logging is printing the full content of the request or response incoming into or outgoing from the Node in a specific logging file (cfr. Section 6 Log files).

The content of the log is the XML content of the request or response preceded by a line containing the timestamp and the logger class.

An example of the content logged by the *ConnectorOutgoingEidasRequestLogger* is available in Appendix B. Full Logging examples.

8 Error ID

In the event an error message is logged, a randomly generated Error ID will be added to both the logged error and the page shown to the user. This allows the operator to quickly locate the error event in the log files.

An example of a logged error message with Error ID can be found below:

```
2022-05-30T13:05:16.584Z [http-nio-8080-exec-3] ERROR
eu.eidas.node.auth.connector.AUCONNECTOR -
ED8424D1312622BF97B7ECFDB3EB54C3 -0:0:0:0:0:0:1 -Error ID:a7606cca-48a4-
4b37-83c5-921e869db8d8, Error code and error message: 203021 - incomplete
attribute set, Additional information: incomplete mandatory set #352#
[EsobrmmGeew0hOAB2EF6vdiG0mzKRSf9a8XKg78QuTA=]
```

| | |
|------------------------|---|
| Timestamp | 2022-05-30T13:05:16.584Z |
| Thread | [http-nio-8080-exec-3] |
| Level | ERROR |
| ClassName | eu.eidas.node.auth.connector.AUCONNECTOR |
| sessionId | -ED8424D1312622BF97B7ECFDB3EB54C3 |
| IpAddress | -0:0:0:0:0:0:1 |
| Error ID | -Error ID:a7606cca-48a4-4b37-83c5-921e869db8d8 |
| Error code and message | Error code and error message: 203021 - incomplete attribute set |
| Additional information | Additional information: incomplete mandatory set |
| EventNumber | #352# |
| Hash | [EsobrmmGeew0hOAB2EF6vdiG0mzKRSf9a8XKg78QuTA=] |

9 Operational considerations

- Audit facilities should be designed with their specific use(s) in mind, not simply adapted from existing system logs.
- Member States should create and maintain an audit log management structure, including policy, procedures, rules and tools.
- Audit log files should be periodically saved and moved to another storage space. The periodicity may be influenced by the classification of the data but should be defined either according to a fixed size (e.g. every time the log reaches 1Mb) and/or according to a fixed period of time (e.g. per day, per week).
- Attacks on systems should be prevented by the use of technical preventive controls. These controls should be preferred above procedural preventive controls if possible. Both measures should be used in conjunction with an examination of the audit data.
- Member States should consider the use of a Security Event management system due to the large volume of security events.
- Member States should not solely rely on unauthorised events or breaches of policy, but should additionally consider proactive monitoring.
- Member States should consider the use of Security Information and Event Management (SIEM) technology to help with the automation and collection of auditable events.
- Audit records should contain a time stamp. Ensure that each system's clock is synchronised to a common time source so that its timestamp will match those generated by other systems.
- The privacy of personal data must be protected.
- Measures should be implemented in order so that deleting or modifying logs of own activities should be detected and alerted immediately.
- Administrators should not be able to erase or deactivate logs of activities.
- Audit events should be protected from modification by using digital signatures to sign audit records.
- Audit events should be archived to 'write-once' media to protect the archive from modification or deletion.
- Where audit records are subject to cryptographic authentication the input data to the authentication computation should include an accurate timestamp.
- Archived audit log files should be protected by appropriate logical and physical security mechanisms.
- The capture of customer-sensitive data in audit logs should be avoided. If necessary sensitive data should be anonymised, tokenized or encrypted to avoid data breaches.
- Where audit data are encrypted, the appropriate decryption software and keys must be available and properly maintained, under appropriate access control, for the whole of the lifetime of the encrypted data. Proper maintenance should include periodic testing and adequate backup to cater for loss of stored encryption keys.
- Audit records should be created in a simple standard format.
- Where audit data are compressed, the appropriate decompression software must be available and properly maintained for the whole of the lifetime of the compressed data. Proper maintenance should include periodic testing.
- The audit trails must be stored in a long-term support and a tamper-evident format, such that illicit addition, modification or deletion of any audit trail can be detected.

9.1 Retention period

- MS should ensure that audit retention is part of the organisation's overall retention policy.
- Where the execution of sensitive security-related actions cannot be made subject to dual control, then that execution should be monitored in a timely fashion.
- MS should determine which data is classified as audit data and should protect and preserve this data appropriately.
- Personal notes should be kept by incident investigators throughout the whole course of an investigation and those notes should themselves be protected and preserved in the same manner as audit data.
- Audit records used during an investigation must be preserved at least until the end of the investigation and for any subsequent prosecution irrespective of their normal retention period.
- Follow the organisation's incident response policy to investigate an audit log incident.
- System configuration information should be modified, if necessary, to prevent an event from overwhelming the system.

10 References

- [1] ISO/IEC 27002 - Information technology -- Security techniques -- Code of practice for information security management, section 10.10, 2005 (www.iso.org|<http://www.iso.org>)
- [2] BSI PD008: Legal Admissibility and Evidential Weight of Information Stored Electronically, British Standards Institution, 1999
- [3] COBIT (Control Objectives for Information and related Technology) from Information Systems Audit and Control Association (<http://www.isaca.org/cobit.htm>|<http://www.isaca.org/cobit.htm>)
- [4] ICT-PSP/2007/1 – STORK 1 : D5.7.3 Functional Design for PEPS, MW models and interoperability
- [5] K. Kent, M. Souppaya. Guide to Computer Security Log Management. Recommendations of the National Institute of Standards and Technology, NIST Special Publication 800-92, September 2006
- [6] SANS Consensus Policy Resource Community - Information Logging Standard, (<http://www.sans.org/security-resources/policies/server-security>|<http://www.sans.org/security-resources/policies/server-security>)
- [7] EC council - The use of audit trails in security systems (<http://www.europeanpaymentscouncil.eu/index.cfm/knowledge-bank/epc-documents/the-use-of-audit-trails-in-security-systems-guidelines-for-european-banks/>|<http://www.europeanpaymentscouncil.eu/index.cfm/knowledge-bank/epc-documents/the-use-of-audit-trails-in-security-systems-guidelines-for-european-banks/>)
- [8] AUDIT Trails - NIST publication <http://csrc.nist.gov/publications/nistbul/itl97-03.txt>
- [9] ENISA: Privacy Features of European eID Card Specification, Version 1.0.1, January 2009, +
http://www.enisa.europa.eu/doc/pdf/deliverables/enisa_privacy_features_eID.pdf
+
- [10] EC council - The use of audit trails in security systems (<http://www.europeanpaymentscouncil.eu/index.cfm/knowledge-bank/epc-documents/the-use-of-audit-trails-in-security-systems-guidelines-for-european-banks/>|<http://www.europeanpaymentscouncil.eu/index.cfm/knowledge-bank/epc-documents/the-use-of-audit-trails-in-security-systems-guidelines-for-european-banks/>)
- [11] AUDIT Trails - NIST publication <http://csrc.nist.gov/publications/nistbul/itl97-03.txt>
- [12] NIST: An Introduction to Computer Security: The NIST Handbook, NIST Special Publication 800-12, December 1997, (<http://csrc.nist.gov/publications/nistpubs/800-12/handbook.pdf>|<http://csrc.nist.gov/publications/nistpubs/800-12/handbook.pdf>)
- [13] Common Criteria: Common Criteria for Information Technology Security Evaluation, Version 3.1, revision 4, September.2012 Part 2: Security Functional Components, (<http://www.commoncriteriaportal.org/files/ccfiles/CCPART2V3.1R4.pdf>|<http://www.commoncriteriaportal.org/files/ccfiles/CCPART2V3.1R4.pdf>)

11 Appendix A: eIDAS-Node Error Codes and Error Messages

The following table provides a list of eIDAS-Node errors and related error messages.

Table 4: Error Codes and Error Messages

| Key | Description |
|---|---|
| sProviderAction.invalidCountry.code | Invalid Country selected by the Citizen error message on the ServiceProvider interface. |
| sProviderAction.invalidCountry.message | Invalid SP Domain error message on the ServiceProvider interface. |
| sProviderAction.invalidSaml.code | Invalid SP Saml request error code on the ServiceProvider interface. |
| sProviderAction.invalidSaml.message | Invalid SP Saml request error message on the ServiceProvider interface. |
| sProviderAction.invalidSPProviderName.code | Invalid SP Provider Name error code on the ServiceProvider interface. |
| sProviderAction.invalidSPProviderName.message | Invalid SP Provider Name error message on the ServiceProvider interface. |
| sProviderAction.invalidRelayState.code | Invalid SP Relay State parameter error code on the ServiceProvider interface. |
| sProviderAction.invalidRelayState.message | Invalid SP Relay State parameter error message on the ServiceProvider interface. |
| sProviderAction.invalidAttr.code | Invalid SP personal attribute list error code on the ServiceProvider interface. |
| sProviderAction.invalidAttr.message | Invalid SP personal attribute list error message on the ServiceProvider interface. |
| sProviderAction.errorCreatingSAML.code | Generating SAML Token error code on the ServiceProvider interface. |
| sProviderAction.errorCreatingSAML.message | Generating SAML Token error message on the ServiceProvider interface. |
| internalError.code | Generic error code. |
| internalError.message | Generic error message. |
| attrList.code | Invalid attribute list error code on Specific code. |
| attrList.message | Invalid attribute list error message on Specific code. |
| invalid.sessionId.code | Invalid session id error code. |
| invalid.sessionId.message | Invalid session id error code. |
| invalid.session.code | Invalid session error code. |
| invalid.session.message | Invalid session error code. |

| Key | Description |
|-----------------------------------|--|
| callback.code | Invalid eIDAS-Node Proxy Service callback URL error code on CitizenConsent interface. |
| callback.message | Invalid eIDAS-Node Proxy Service callback URL error message on CitizenConsent interface. |
| idp.url.code | Invalid IdP redirect URL error code. |
| idp.url.message | Invalid IdP redirect URL error message. |
| IdPSAMLResponse.code | Invalid IdP's SAML Response error code. |
| IdPSAMLResponse.message | Invalid IdP's SAML Response error message. |
| serviceSAMLResponse.code | Invalid Proxy Service's SAML Response error code. |
| serviceSAMLResponse.message | Invalid Proxy Service's SAML Response error message. |
| authenticationFailed.code | Authentication Failed error code on IdPResponse Interface. |
| authenticationFailed.message | Authentication Failed error message on IdPResponse Interface. |
| username.code | Authentication Failed error code on specific code. |
| username.message | Authentication Failed error message on specific code. |
| invalidAttributeList.code | Invalid Attribute List error code on Specific Code or IdP Response. |
| invalidAttributeList.message | Invalid Attribute List error message on Specific Code or IdP Response. |
| invalidAttributeValue.code | Invalid Attribute Value error code on Specific Code. |
| invalidAttributeValue.message | Invalid Attribute Value error message on Specific Code. |
| attVerification.mandatory.code | No consent given error code on the CitizenConsent interface. |
| attVerification.mandatory.message | No consent given to mandatory error message on the CitizenConsent interface. |
| hash.error.code | Hash generation error code. |
| hash.error.message | Hash generation error message. |
| qaaLevel.code | Invalid QAALevel error code on Specific Code or IdP Response. |
| qaaLevel.message | Invalid QAALevel error message on Specific Code or IdP Response. |

| Key | Description |
|--|---|
| colleagueRequest.invalidSAML.code | Invalid SAML Token error code on the ColleagueRequest interface. |
| colleagueRequest.invalidSAML.message | Invalid SAML Token error message on the ColleagueRequest interface. |
| colleagueRequest.invalidCountry.code | Invalid Citizen Country error code on the ColleagueRequest interface. |
| colleagueRequest.invalidCountry.message | Invalid Citizen Country error code on the ColleagueRequest interface. |
| colleagueRequest.errorCreatingSAML.code | Generating SAML Response error code on the ColleagueRequest interface. |
| colleagueRequest.errorCreatingSAML.message | Generating SAML Response error code on the ColleagueRequest interface. |
| colleagueRequest.attrNull.code | Invalid personal attribute list error code on the ColleagueRequest interface. |
| colleagueRequest.attrNull.message | Invalid personal attribute list error message on the ColleagueRequest interface. |
| colleagueRequest.invalidDestUrl.code | Invalid Citizen Consent URL error code on the ColleagueRequest interface. |
| colleagueRequest.invalidDestUrl.message | Invalid Citizen Consent URL error code on the ColleagueRequest interface. |
| serviceRedirectUrl.code | Invalid Proxy Service Redirect configuration URL error code on the ServiceProvider interface. |
| serviceRedirectUrl.message | Invalid Proxy Service Redirect configuration URL error message on the ServiceProvider interface |
| colleagueResponse.invalidSAML.code | Invalid SAML Token error code on the ColleagueResponse interface. |
| colleagueResponse.invalidSAML.message | Invalid SAML Token error message on the ColleagueResponse interface. |
| auRequestIdError.code | The SAML Response Id is either null or not valid error code. |
| auRequestIdError.message | The SAML Response Id is either null or not valid error message. |
| audienceRestrictionError.code | SAML Conditions are not compliant error code. |
| audienceRestrictionError.message | SAML Conditions are not compliant error message. |

12 Appendix B: Full Logging Examples

This section is dedicated to examples of the full logging of requests and responses.

- Full logging of an Outgoing Eidas Request from the Connector

Full logging output of the ConnectorOutgoingEidasRequestLogger.


```

Name="http://eidas.europa.eu/attributes/legalperson/SIC"
NameFormat="urn:oasis:names:tc:SAML:2.0:attrname-format:uri"
isRequired="false"/><eidas:RequestedAttribute FriendlyName="TaxReference"
Name="http://eidas.europa.eu/attributes/legalperson/TaxReference"
NameFormat="urn:oasis:names:tc:SAML:2.0:attrname-format:uri"
isRequired="false"/><eidas:RequestedAttribute
FriendlyName="VATRegistration"
Name="http://eidas.europa.eu/attributes/legalperson/VATRegistrationNumber"
NameFormat="urn:oasis:names:tc:SAML:2.0:attrname-format:uri"
isRequired="false"/><eidas:RequestedAttribute FriendlyName="BirthName"
Name="http://eidas.europa.eu/attributes/naturalperson/BirthName"
NameFormat="urn:oasis:names:tc:SAML:2.0:attrname-format:uri"
isRequired="false"/><eidas:RequestedAttribute
FriendlyName="CurrentAddress"
Name="http://eidas.europa.eu/attributes/naturalperson/CurrentAddress"
NameFormat="urn:oasis:names:tc:SAML:2.0:attrname-format:uri"
isRequired="false"/><eidas:RequestedAttribute FriendlyName="FamilyName"
Name="http://eidas.europa.eu/attributes/naturalperson/CurrentFamilyName"
NameFormat="urn:oasis:names:tc:SAML:2.0:attrname-format:uri"
isRequired="true"/><eidas:RequestedAttribute FriendlyName="FirstName"
Name="http://eidas.europa.eu/attributes/naturalperson/CurrentGivenName"
NameFormat="urn:oasis:names:tc:SAML:2.0:attrname-format:uri"
isRequired="true"/><eidas:RequestedAttribute FriendlyName="DateOfBirth"
Name="http://eidas.europa.eu/attributes/naturalperson/DateOfBirth"
NameFormat="urn:oasis:names:tc:SAML:2.0:attrname-format:uri"
isRequired="true"/><eidas:RequestedAttribute FriendlyName="Gender"
Name="http://eidas.europa.eu/attributes/naturalperson/Gender"
NameFormat="urn:oasis:names:tc:SAML:2.0:attrname-format:uri"
isRequired="false"/><eidas:RequestedAttribute
FriendlyName="PersonIdentifier"
Name="http://eidas.europa.eu/attributes/naturalperson/PersonIdentifier"
NameFormat="urn:oasis:names:tc:SAML:2.0:attrname-format:uri"
isRequired="true"/><eidas:RequestedAttribute FriendlyName="PlaceOfBirth"
Name="http://eidas.europa.eu/attributes/naturalperson/PlaceOfBirth"
NameFormat="urn:oasis:names:tc:SAML:2.0:attrname-format:uri"
isRequired="false"/><eidas:RequestedAttribute
FriendlyName="LegalAdditionalAttribute"
Name="http://eidas.europa.eu/attributes/legalperson/LegalAdditionalAttribute"
NameFormat="urn:oasis:names:tc:SAML:2.0:attrname-format:uri"
isRequired="false"/><eidas:RequestedAttribute
FriendlyName="AdditionalAttribute"
Name="http://eidas.europa.eu/attributes/naturalperson/AdditionalAttribute"
NameFormat="urn:oasis:names:tc:SAML:2.0:attrname-format:uri"
isRequired="false"/></eidas:RequestedAttributes></saml2p:Extensions><saml2
p:NameIDPolicy AllowCreate="true"
Format="urn:oasis:names:tc:SAML:1.1:nameid-
format:unspecified"/><saml2p:RequestedAuthnContext
Comparison="minimum"><saml2:AuthnContextClassRef>http://eidas.europa.eu/Lo
A/low</saml2:AuthnContextClassRef></saml2p:RequestedAuthnContext></saml2p:
AuthnRequest> #2# [HKA8HqNhTMylytox5txoC19ThvfqIvX6ZX9L39A0S9c=]

```

- Full logging of an Outgoing LightResponse from the Connector

Full logging output of the ConnectorOutgoingEidasLightResponseLogger.

```

2020-02-06T10:17:17.943Z [http-nio-8080-exec-
1] INFO eu.eidas.logging.full.ConnectorOutgoingLightResponseLogger FULL_M
ESSAGE_EXCHANGE -
172.17.0.1: #11# [4LWthojFVqXLpv8tcMM2whTMOdMeuj7DPqb5+6D/rGg=]
<?xml version="1.0" encoding="UTF-
8" standalone="yes"?><lightResponse> <id>_RX8QrnJIcr7vln4Z.PvTeKL6owCLs
akmS-tt2KaFtW3ItuNAkKvItj6q3-_QVZc</id> <relayState>8e201975-c953-4bc1-
bdf8-
37677cf0039a</relayState> <issuer>http://localhost:8080/EidasNodeConnec
tor/ConnectorMetadata</issuer> <subject>0123456</subject> <subjectNa
meIdFormat>urn:oasis:names:tc:SAML:1.1:nameid-
format:unspecified</subjectNameIdFormat> <status> <failure>>false
</failure> <statusCode>urn:oasis:names:tc:SAML:2.0:status:Success</
statusCode> <statusMessage>urn:oasis:names:tc:SAML:2.0:status:Succe
ss</statusMessage> </status> <inResponseToId>fd8e8c53-592a-48ea-
999c-
4cd4230aa10b</inResponseToId> <levelOfAssurance>http://eidas.europa.eu/
LoA/low</levelOfAssurance> <attributes> <attribute> <
definition>http://eidas.europa.eu/attributes/legalperson/LegalName</defini
tion> <value>Current Legal Name</value> </attribute>
<attribute> <definition>http://eidas.europa.eu/attributes/l
egalperson/LegalPersonIdentifier</definition> <value>CA/CB/1254
57487Company</value> </attribute> <attribute> <de
finition>http://eidas.europa.eu/attributes/naturalperson/CurrentFamilyName
</definition> <value>Garcia</value> </attribute>
<attribute> <definition>http://eidas.europa.eu/attributes/natur
alperson/CurrentGivenName</definition> <value>javier</value>
</attribute> <attribute> <definition>http://eidas.e
uropa.eu/attributes/naturalperson/DateOfBirth</definition> <val
ue>1965-01-
01</value> </attribute> <attribute> <definition>h
ttp://eidas.europa.eu/attributes/naturalperson/PersonIdentifier</definitio
n> <value>CA/CB/12345</value> </attribute> </attribut
es></lightResponse> #12# [MkB9q0hjCn0SBRDQCczjz1ju3sT3tZ5y4zsqfzZa0Yo=]

```