

Objective

A multi-stakeholders public and private sector cooperation to deliver a commercially viable, government backed, pilot demonstrating how mobile operators can support via Mobile Connect the deployment and scaling of eIDAS within two or more European countries, positioning Mobile Connect as the first private-sector cross-border service authentication solution that meets the technical and regulatory requirements of eIDAS

Project Scope

- Deploy a scalable pilot with commercial potential which meets governments requirements
- Develop and test government eIDAS architectures interoperability requirements
- Test services and use cases for secure authentication for public and private sector use cases

Markets, participants & observers

- Wave 1 : Norway
 - Wave 2 : Estonia, Finland
 - Wave 3: France , others
- European Commission to provide eIDAS reference guidance on architecture interoperability requirements and other regulatory issues
+ 75 eIDAS experts observers

Technical components

- Architecture option 3 (as agreed with consulted stakeholders)
- eIDAS Node connectivity tested
- LOA2 (“low”) or LOA3 (“substantial”) in a user controlled environment

Key resources

Country	Organisation
Norway	Difi Telenor Norway
Estonia	Information System Authority Telia Company
Finland	Finnish Population Register Centre Telia Company
France	Secrétariat général pour la modernisation de l’act Orange AriadNext
European Commission	DGCONNECT and DIGIT

Target timeline (key milestones)

- STAGE 1: Define the minimum viable framework for the pilot**
- 15th June: Finalised plans and agreement for Wave 1,2,3 trials
 - 10th July: Stage 1 completion and COMMS
- STAGE 2: Technical implementation and test deployment**
- 31st October : Wave 1 completion
 - 30th November : Wave 2 completion
 - 30th January 2018: Wave 3 completion
- STAGE 3: Demos, Comms & Post-launch**
- MWC18 26th February 2018): Demo, COMMS, and post launch

Status, Risks and opportunities

- Status**
- Stage 1 of the Pilot is completed. Difi and Telenor in Norway completed the integration of the eIDAS node with Mobile Connect for LOA2. LOA3 in Q3
- Opportunities**
- Mapping of Mobile Connect LOAs and eIDAS per country piloted
 - Assess eIDAS nodes policy for public and private sector use cases
 - Design MC interoperability library profile for EC eIDAS interoperability requirements
- Risks**
- Dedicated resources from stakeholders in country
 - Summer holiday

Use Cases & Potential Service Providers (Public/Private)

Government/ EU Services

- Registration for e-Residency (to open a business)
- Login to a European Service online

• Public sector:

- E-Residency and citizens portal (Estonia)
- E-Justice (European Commission)
- Population Registry, others (Finland)

Financial

- Opening of a Bank Account
- Age verification for adults beverages or gambling

• Private sector:

- Fintech/ e-commerce
- Beverage or gambling company

Healthcare

- Access to electronic health records for patient and health care professionals, e-prescriptions.

• Public Sector:

- Ministry of Health

• Private Sector:

- Healthcare Professionals

Education

- Student enrolment at a university in another Member State
- Registration for and access to e-learning environments.

• Private Sector:

- Online education

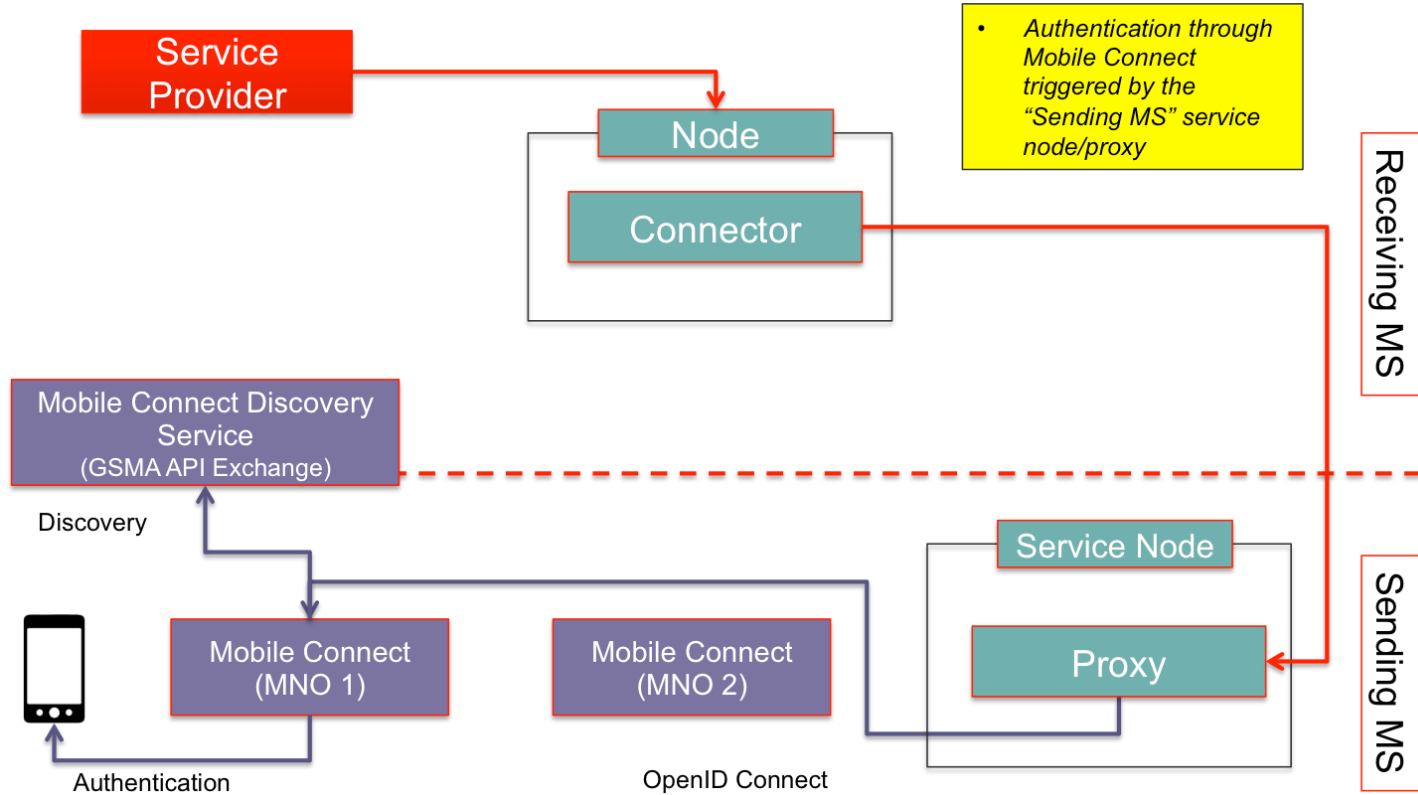
IoT

- Applying for utility services – electricity, gas, water

• Private Sector :

- M2M
- Smart-Home

Architecture Option 3 – eIDAS Reference Architecture



Timeline

