

# STANDARDISATION

## Role of **ANNA** within **ISO**

- Overview of Standards -



# ISO Structure

- Technical Committees
- Sub-Committees
- Working Groups
- Registration Authorities



## Banking and other Financial Services

- ➔ **SC2:** Security Management and General Banking Ops.
- ➔ **SC4:** Securities and related Financial Instruments
- ➔ **SC6:** Retail Financial Services



# SC4 Working Groups

- ➡ **WG6** : Classification of Financial Instruments (CFI and FISN)
- ➡ **WG8** : Identification of Business Entities (IBEI)
- ➡ **WG9** : Industry Sector/Classification Reference
- ➡ **WG10**: Integration of XML in ISO 15022
- ➡ **WG11**: Market Data Model in ISO 15022



# Registration Authorities

Two Liaison Organisations collect, store, disseminate and/or display data relevant to the standards they are responsible for:

- 👉 **ANNA:** Association of **N**ational **N**umbering **A**gencies
- 👉 **SWIFT:** Society for **W**orldwide **I**nterbank **F**inancial **T**elecommunication

They are designated, on a case by case basis, by the ISO Council each time a new international standard becomes active.

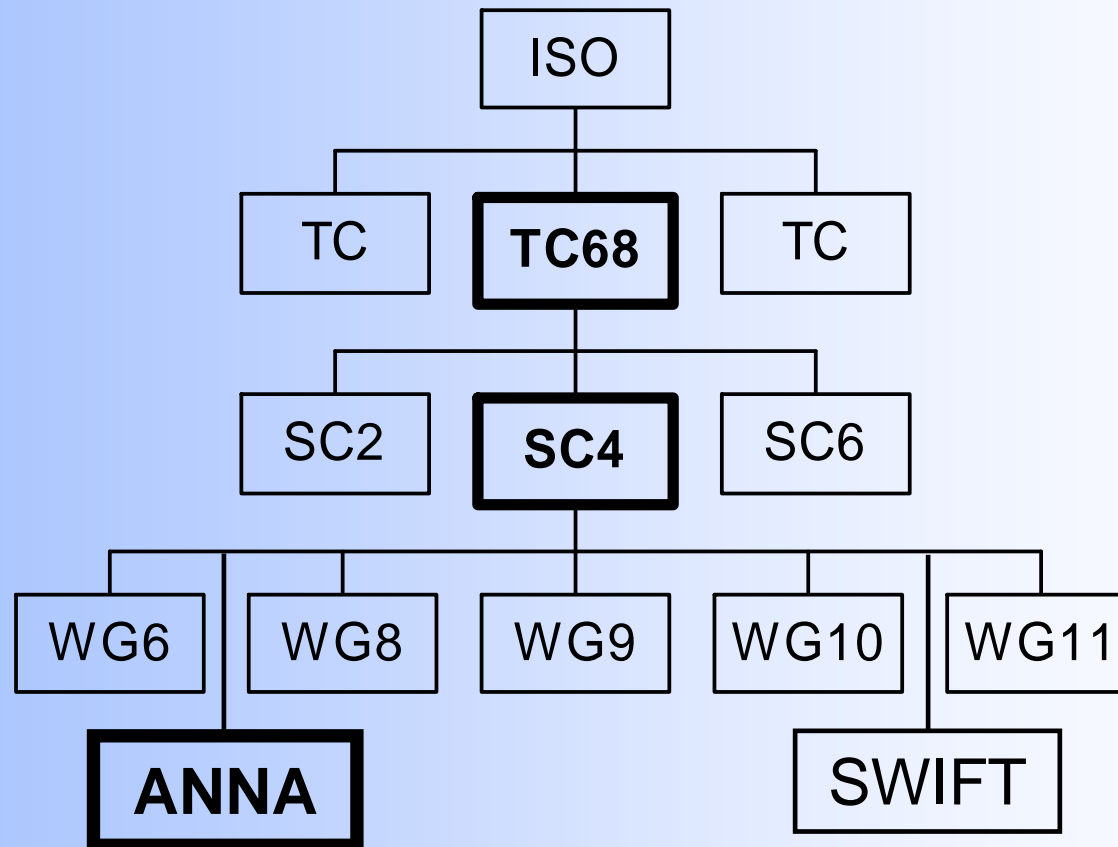


# ANNA and ISO 6166

- ➡ Registration/maintenance ISIN standard under ANNA's responsibility enacted acc. to ISO rules and regulations
  
- ➡ Make available
  - International Securities Identification Number (ISIN) allocation according to ISO Standard 6166
  - Dissemination of ISIN and CFI through NNAs and ANNA Service Bureau (ASB) – in accordance with claimed NNA IPR requirements
  - Products of the ASB: ISIN\_Access (Look-up service) and ISIN\_db (Daily data feed)
  
- ➡ More details: [www.anna-web.com](http://www.anna-web.com)



# ISO/TC68 Diagram



# ISO Standards

- 👉 **ISO 6166** : ISIN codes
- 👉 **ISO 10962** : CFI codes
- 👉 **ISO 10383** : MIC codes
- 👉 **ISO 18773** : Abbreviations
- 👉 **ISO 18774** : FISN
- 👉 **ISO ?????** : IBEI



# ISO Standards

- 👉 **ISO 6166** : ISIN codes
- 👉 **ISO 10962** : CFI codes
- 👉 **ISO 10383** : MIC codes
- 👉 **ISO 18773** : Abbreviations
- 👉 **ISO 18774** : FISN
- 👉 **ISO ?????** : IBEI



# ISO 6166

**ISIN** : International Securities Identification Number

- ➡ The **Standard** : Who does what ?
- ➡ The **Guidelines** : How to do it ?



# ISIN Standard

## 👉 Scope

Uniform structure for use in any application in the trading and administration of securities.

## 👉 Principles

- ◆ a **prefix** which is the alpha-2 country code of ISO 3166
- ◆ the **basic number** which is 9 characters in length
- ◆ a **check digit** computed as described in the annex A



# ISIN Standard

## 👉 **NNA competencies:**

- ◆ **Equities:** alpha-2 country code of the issuer's country
- ◆ **Bonds:** differences between international and domestic debts
- ◆ **Entitlements:** alpha-2 country code of the issuer's country
- ◆ **Derivatives:** prefix of the country of the exchange issuing the instrument
- ◆ **Others:** refers to Commodities, Currencies, Indices and Interest Rates



# ISIN Standard

## ☞ Countries where no NNA exists

Four **S**ubstitute **N**umbering **A**gencies allocate corresponding ISINs as follows:

- ◆ **Wertpapier-Mitteilungen:** Africa, Asia and Eastern Europe
- ◆ **Cusip Service Bureau:** North and South America
- ◆ **Telekurs Financial:** The rest of the world
- ◆ **NDC Russia - Uzbekistan**

The ISO Council has designated **ANNA** as **R**egistration **A**uthority for the **ISIN standard**



# ISIN Guidelines

## ☞ **Fungibility**

In general: Set of goods which are equivalent, substitutable, interchangeable and which are not individualized.

For securities: different versions of the same security can be exchanged into the other form and vice versa at any time.

**FUNGIBLE SECURITIES WILL BE IDENTIFIED BY ONE ISIN**



# ISIN Guidelines

## ☞ Exceptions

- ◆ relating to fungibility
- ◆ relating to assignment rules
- ◆ consequences of corporate actions
  - paperless securities
  - physical certificates

**CHANGES OF ISIN CODES ARE  
KEPT TO A MINIMUM**



# ISO Standards

- 👉 **ISO 6166** : ISIN codes
- 👉 **ISO 10962** : CFI codes
- 👉 **ISO 10383** : MIC codes
- 👉 **ISO 18773** : Abbreviations
- 👉 **ISO 18774** : FISN
- 👉 **ISO ?????** : IBEI



# ISO 10962

## CFI : Classification of Financial Instruments

### ☞ Scope

It defines an internationally valid system to classify financial instruments.

### ☞ Composition

Six alphabetic characters

- **the generic category**
- **specific groups** within the category
- **and attributes**, i.e. the most important ones



# CFI Standard

## ☞ Categories

- ◆ **E** = Equities
- ◆ **D** = Debt Instruments
- ◆ **R** = Entitlements (Rights)
- ◆ **O** = Options
- ◆ **F** = Futures
- ◆ **M** = Others (Miscellaneous)



# CFI Standard

## 👉 **Groups (within Equities)**

- ◆ **S** = Shares, i.e. common/ordinary
- ◆ **P** = Preferred shares
- ◆ **R** = Preference shares
- ◆ **C** = Convertible shares
- ◆ **F** = Preferred convertible shares
- ◆ **V** = Preference convertible shares
- ◆ **U** = Units, i.e. unit trusts/mutual funds
- ◆ **M** = Others (Miscellaneous)\*

\* Use of “M” value is discouraged as not recognised by some countries

ANNA numbers the world



# CFI Standard

## ☞ Attributes

- ◆ **Voting right**
  - voting or non-voting
- ◆ **Ownership/transfer restrictions**
  - restrictions or free
- ◆ **Payment status**
  - nil, partly or fully paid
- ◆ **Form of securities**
  - bearer or registered



# ISO Standards

- ☞ **ISO 6166** : ISIN codes
- ☞ **ISO 10962** : CFI codes
- ☞ **ISO 10383** : MIC codes
- ☞ **ISO 18773** : Abbreviations
- ☞ **ISO 18774** : FISN
- ☞ **ISO ?????** : IBEI



# ISO 10383

## MIC : Market Identification Code

### ☞ Scope

This code provides a uniform structure for exchange and market identification.

### ☞ Composition

Four continuous alphanumeric characters 

--	--	--	--

### ☞ Examples

XPAR = NYSE Euronext - Paris

XNAS = Nasdaq - New York

EMTS = EuroMTS - London



# ISO Standards

- 👉 **ISO 6166** : ISIN codes
- 👉 **ISO 10962** : CFI codes
- 👉 **ISO 10383** : MIC codes
- 👉 **ISO 18773** : Abbreviations
- 👉 **ISO 18774** : FISN
- 👉 **ISO ?????** : IBEI



# ISO 18773

## Abbreviations

### 👉 Scope

It aims to harmonize existing market practices, which are in use on a national and individual entity level.

### 👉 Principles

It shall be assigned upon issuance of the related financial instrument.

- **Issuer Short Name** limited to a maximum of 15 characters
- **Abbreviation of terms** used in the securities business processes



# ISO Standards

- 👉 **ISO 6166** : ISIN codes
- 👉 **ISO 10962** : CFI codes
- 👉 **ISO 10383** : MIC codes
- 👉 **ISO 18773** : Abbreviations
- 👉 **ISO 18774** : **FISN**
- 👉 **ISO ?????** : **IBEI**



# ISO 18774

## FISN : Financial Instrument Short Name

### Scope

It has been developed to provide a consistent and uniform approach to standardize short descriptions for financial instruments.

### Composition

35 alphanumeric characters

- **an issuer name** with a maximum length of 15 characters
- **a “/” delimiter** between issuer name and instrument description
- **an instrument description** with a maximum length of 19 characters



# ISO Standards

- 👉 **ISO 6166** : ISIN codes
- 👉 **ISO 10962** : CFI codes
- 👉 **ISO 10383** : MIC codes
- 👉 **ISO 18773** : Abbreviations
- 👉 **ISO 18774** : FISN
- 👉 **ISO ?????** : **IBEI**



## **IBEI : International Business Entities Identifier**

This standard is under construction and this project has been placed under the responsibility of ISO/TC68/SC4/WG8.



# ANNA and Securities Data Elements

