



GHS - Labelling and Packaging – challenges to be faced

Selection of Precautionary Statements

K. Merkl

EQ EHS Product Information

17. 06. 2009

GHS

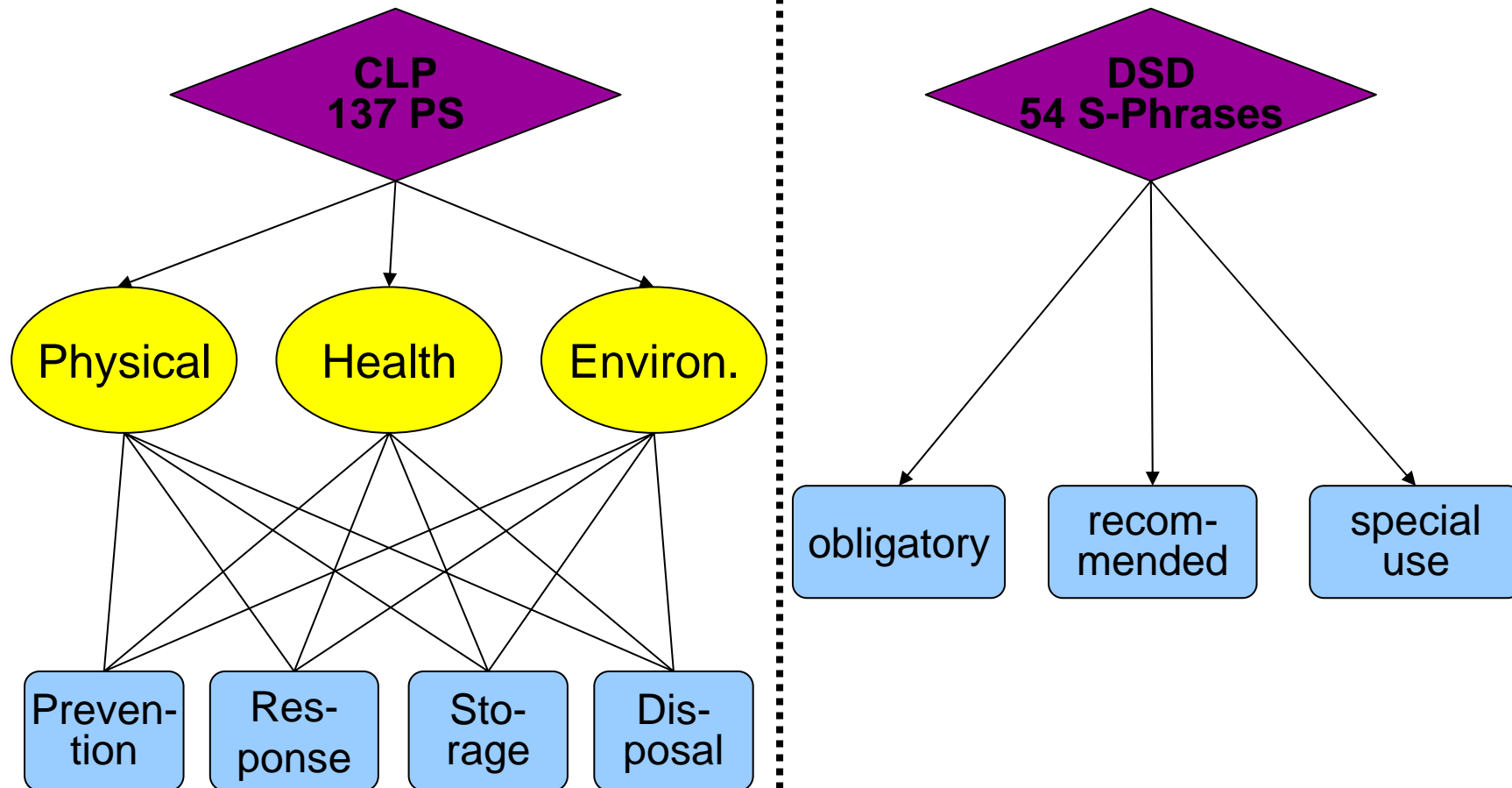
Selection of Precautionary Statements



- Current requirements according to the DSD in comparison with the CLP regulation
- Solution for a workable approach under consideration of all relevant Precautionary Statements

GHS

Selection of Precautionary Statements



GHS

Selection of Precautionary Statements



DSD (67/548/EEC) – Annex VI

- S 24: Avoid contact with skin
 - Application:
 - All substances and preparations dangerous to health
 - Use:
 - Obligatory
 - For those substances and preparations which are labelled with R 43, unless they are also labelled with S 36
 - Recommended:
 - If necessary to alert the user of possible risks in contact with skin which are not mentioned in a risk phrase

GHS

Selection of Precautionary Statements



Classification	Respiratory sensitisation Category 1	Skin sensitisation Category 1
GHS Pictograms		
Signal Word	Danger	Warning
Hazard Statement	H334: May cause allergy or asthma symptoms or breathing difficulties if inhaled	H317: May cause an allergic skin reaction
Precautionary statement prevention	P261 P285	P261 P272 P280
Precautionary statement response	P304 + P341 P342 + P311	P302 + P352 P333 + P313 P321 P363
Precautionary statement storage		
Precautionary statement disposal	P501	P501

GHS

Selection of Precautionary Statements



Classification	Corrosive to skin Category 1A, 1B, 1C
GHS Pictograms	
Signal word	Danger
Hazard statement	H314: Causes severe skin burns and eye damage
Precautionary statement prevention	P260 P264 P280
Precautionary statement response	P301 + P330 + P331 P303 + P361 + P353 P363 PP304 + P340 P310 P321 P305 + P351 + P338
Precautionary statement storage	P405
Precautionary statement disposal	P501

GHS

Selection of Precautionary Statements



Article 28

Not more than six Precautionary Statements shall appear on the label, unless necessary to reflect the nature and the severity of the hazards.

GHS

Selection of Precautionary Statements



S20/21	When using do not eat, drink or smoke.	P270	Do not eat, drink or smoke when using this product.
S21	When using do not smoke.	P270	Do not eat, drink or smoke when using this product.
S22	Do not breathe dust.	P260	Do not breathe dust/fume/gas/mist/vapours/spray.
S23	Do not breathe gas/fumes/vapour/spray	P260	Do not breathe dust/fume/gas/mist/vapours/spray.
S24	Avoid contact with skin.	P262	Do not get in eyes, on skin, or on clothing.
S24/25	Avoid contact with skin and eyes.	P262	Do not get in eyes, on skin, or on clothing.
S25	Avoid contact with eyes.	P262	Do not get in eyes, on skin, or on clothing.
S26	In case of contact with eyes, rinse immediately with plenty of water and seek medical advice.	P305+ P351+ P338	IF IN EYES: Rinse cautiously with water for several minutes. Remove contact lenses, if present and easy to do. Continue rinsing.

GHS

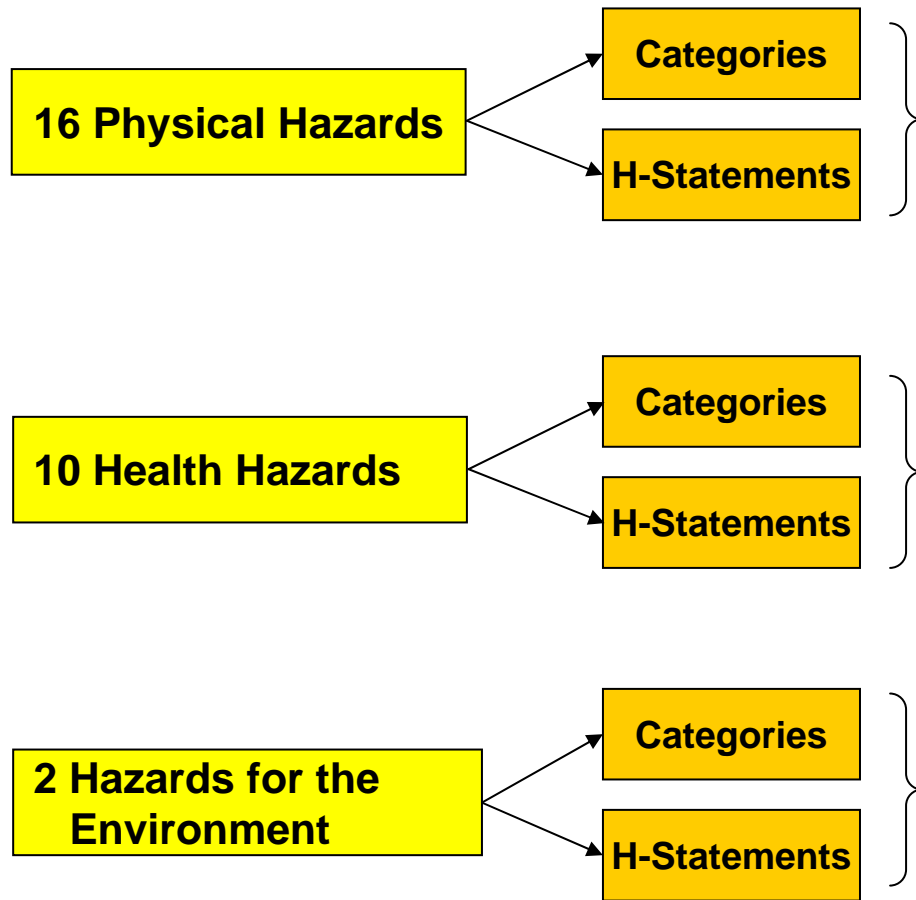
Selection of Precautionary Statements



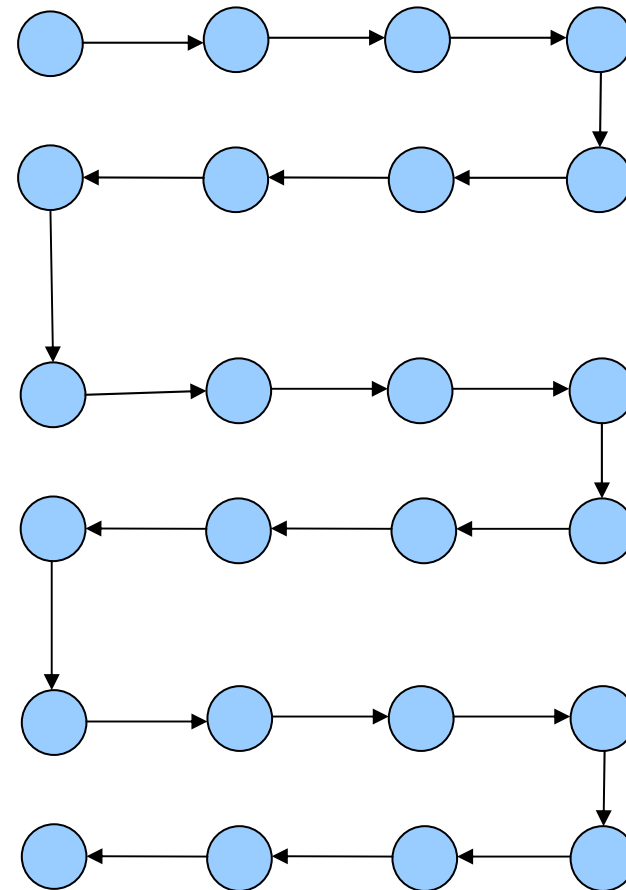
S45	In case of accident or if you feel unwell, seek medical advice immediately (show the label where possible).	P314	Get medical advice/attention if you feel unwell.
		P101	If medical advice is needed, have product container or label at hand.
		P308+ P313	If exposed or concerned: Get medical advice/attention
		P310	Immediately call a POISON CENTER or doctor/physician.
		P307+ P311	If exposed: Call a POISON CENTER or doctor or physician.
		P301+ P310	If exposed: Immediately call a POISON CENTER or doctor/physician.
		P309+ P311	If exposed or if you feel unwell: Call a POISON CENTER or doctor/physician.
		P342+ P311	If experiencing respiratory symptoms: Call a POISON CENTER or doctor/physician.

GHS

Decision tree

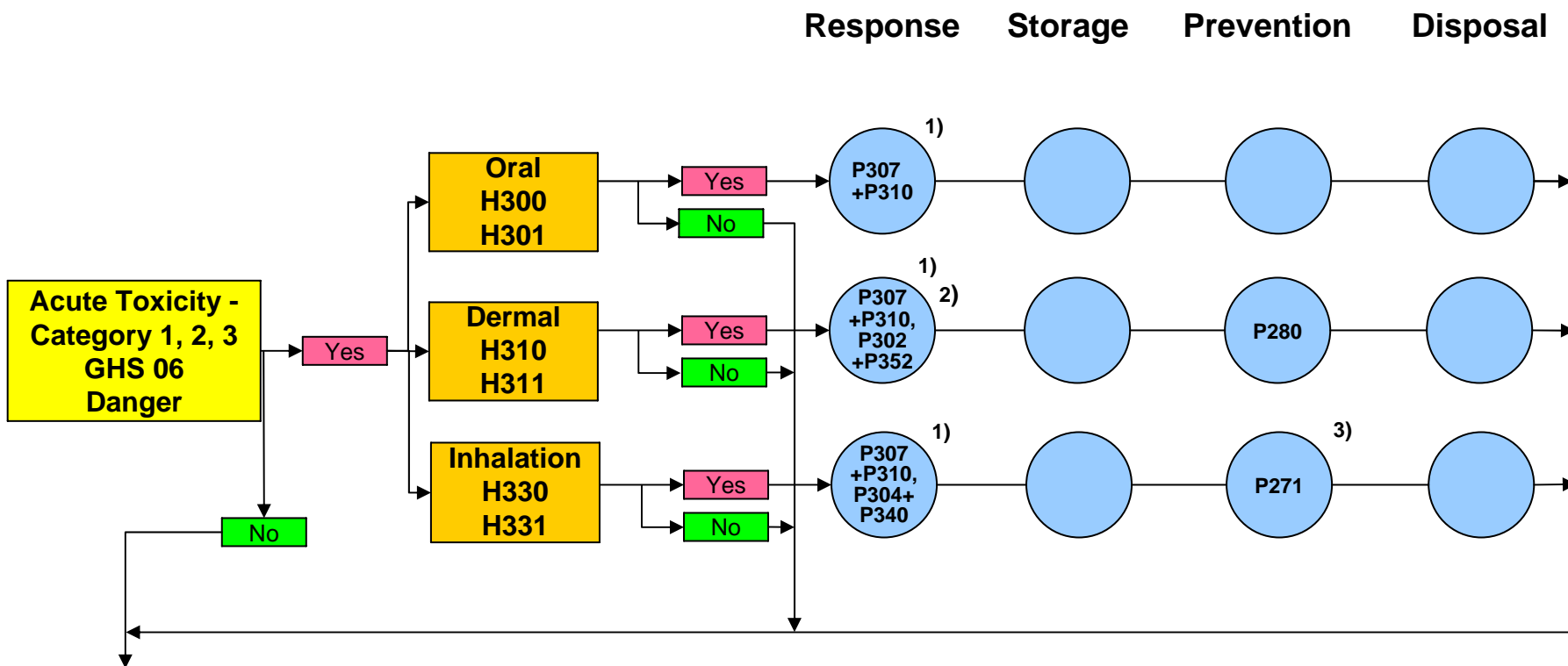


Response Storage Prevention Disposal



GHS

Decision tree



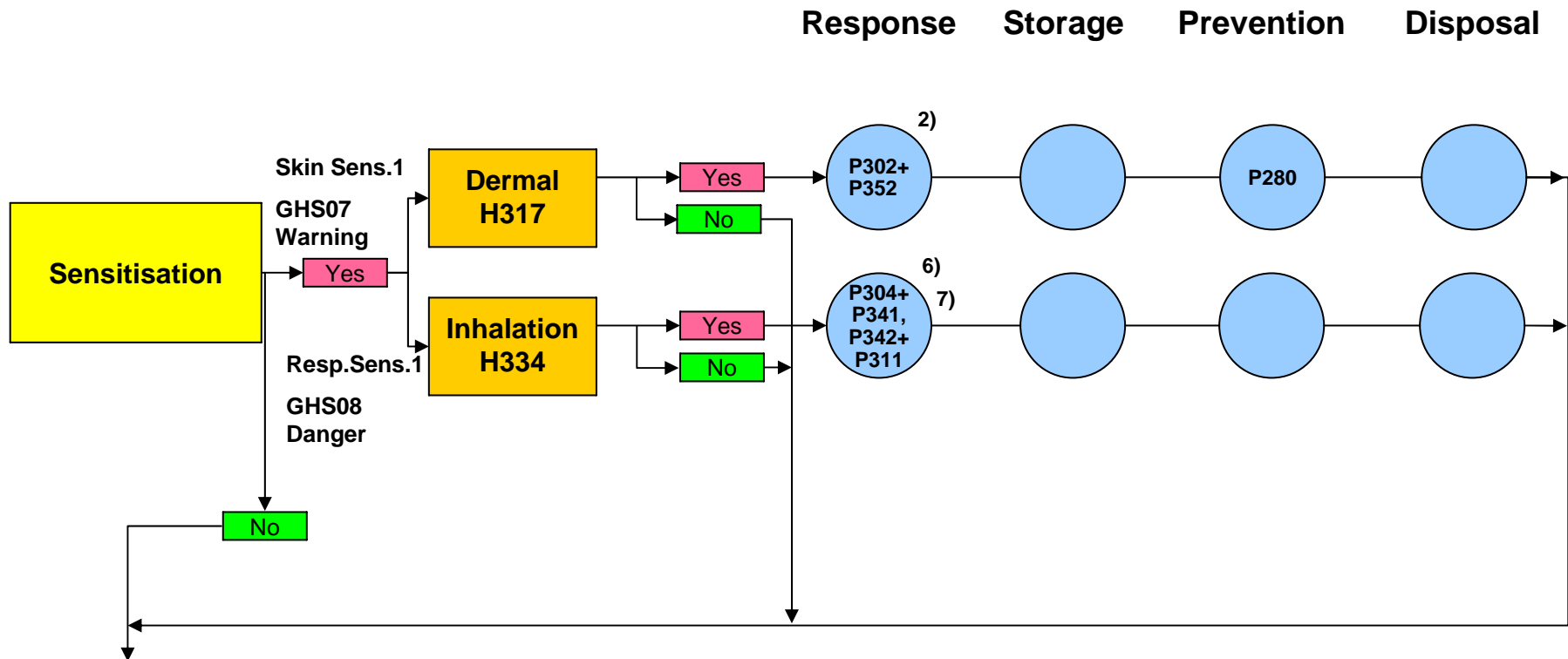
1) Change P301 to P307 in order to cover more exposure routes if necessary. If there is only one route use the recommended statement

2) P352 instead of P350 to minimize redundancy

3) If more than 6 statements are required use the SDS (chapter 7)

GHS

Decision tree



2) P352 instead of P350 to minimize redundancy

6) Unless P304+P340 has to be used for acute toxicity

7) Unless P307+P310 has to be used

Thank you for your attention

